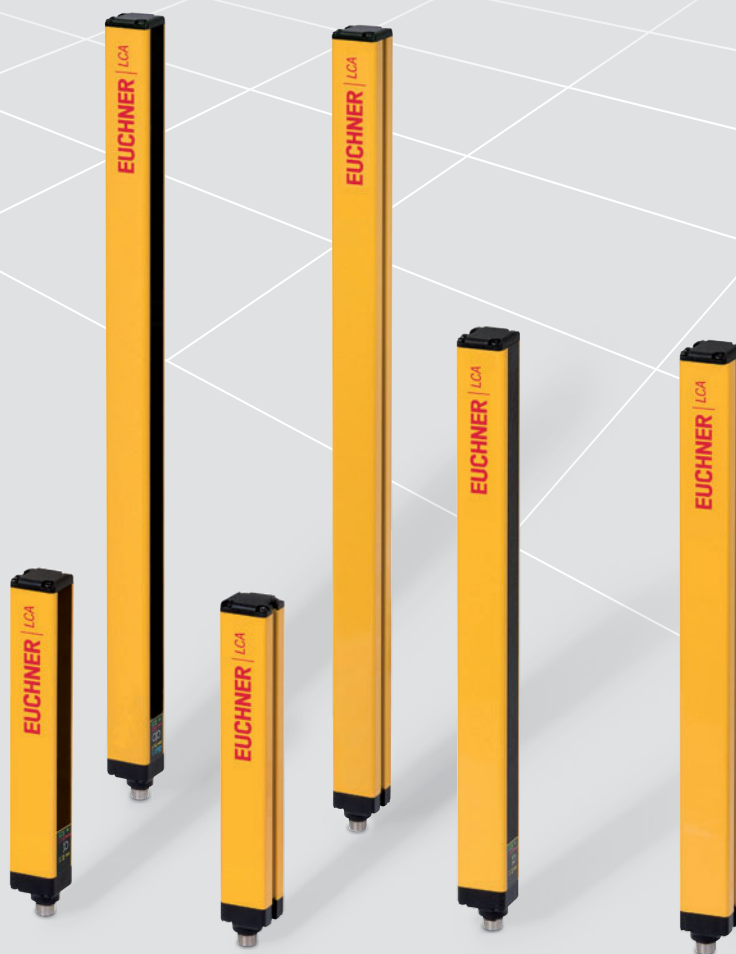


Light grids and light curtains LCA



EUCHNER

More than safety.

EUCHNER

More than safety.



Headquarters in Leinfelden-Echterdingen



Logistics center in Leinfelden-Echterdingen



Production location in Unterböhringen

Internationally successful – the EUCHNER company

EUCHNER GmbH + Co. KG is a world-leading company in the area of industrial safety technology. EUCHNER has been developing and producing high-quality switching systems for mechanical and systems engineering for more than 60 years.

The medium-sized family-operated company based in Leinfelden, Germany, employs around 750 people around the world.

18 subsidiaries and other sales partners in Germany and abroad work for our international success on the market.

Quality and innovation – the EUCHNER products

A look into the past shows EUCHNER to be a company with a great inventive spirit. We take the technological and ecological challenges of the future as an incentive for extraordinary product developments.

EUCHNER safety switches monitor safety doors on machines and installations, help to minimize dangers and risks and thereby reliably protect people and processes. Today, our products range from electromechanical and electronic components to intelligent integrated safety solutions. Safety for people, machines and products is one of our dominant themes.

We define future safety technology with the highest quality standards and reliable technology. Extraordinary solutions ensure the great satisfaction of our customers. The product ranges are subdivided as follows:

- ▶ Transponder-coded Safety Switches
- ▶ Transponder-coded Safety Switches with guard locking
- ▶ Multifunctional Gate Box MGB
- ▶ Access management systems (Electronic-Key-System EKS)
- ▶ Electromechanical Safety Switches
- ▶ Magnetically coded Safety Switches
- ▶ Enabling Switches
- ▶ Safety Relays
- ▶ Emergency Stop Devices
- ▶ Hand-Held Pendant Stations and Handwheels
- ▶ Safety Switches with AS-Interface
- ▶ Joystick Switches
- ▶ Position Switches



General	4
Light grids and light curtains LCA	4
The advantages of LCA at a glance	4
Differentiation between LCA devices of type 2 and type 4	5
Light grids vs. light curtains	6
Light curtains LCA type 2	7
Light curtains LCA type 4	7
Light grids LCA type 2	8
Light grids LCA type 4	8
Light curtains LCA type 4 master/slave	9
Function expansion	10
Versatile accessories	11

LCA 2	12
Light grid LCA-2TR-B... (2 ... 4 beams)	14
Light curtains LCA-2TR-50-... (50 mm)	16
Light curtains LCA-2TR-40-... (40 mm)	18
Light curtains LCA-2TR-30-... (30 mm)	20

LCA 4	22
Light grid LCA-4TR-B... (2 ... 4 beams)	24
Light curtains LCA-4TR-50-... (50 mm)	26
Light curtains LCA-4TR-40-... (40 mm)	30
Light curtains LCA-4TR-30-... (30 mm)	34
Light curtains LCA-4TR-14-... (14 mm)	38

LCA 4 master/slave	40
Light curtains LCA-4TR-M-30-... (Master, 30 mm)	42
Light curtains LCA-4TR-M-14-... (Master, 14 mm)	44
Light curtains LCA-4TR-S1-30-... (Slave 1, 30 mm)	46
Light curtains LCA-4TR-S1-14-... (Slave 1, 14 mm)	48
Light curtains LCA-4TR-S2-30-... (Slave 2, 30 mm)	50
Light curtains LCA-4TR-S2-14-... (Slave 2, 14 mm)	52

Accessories	54
Connection material	56
Mounting accessories	58

Index	62
Index by item designation	62
Index by order number	64

Light grids and light curtains LCA

Light grids and light curtains are electro-sensitive protective equipment (ESPE) for securing danger areas on machines and installations. They use several light beams to form an invisible safety light curtain in front of the danger area. When a machine operator interrupts one of these light beams, this will cause the safety outputs to switch off.

When installed vertically, light grids and light curtains serve the purpose of access control for operating personnel. When installed horizontally, they secure areas or prevent people from stepping behind them.

Electro-sensitive protective equipment is used whenever

- a machine operator must interact with the machine in very brief cycles, e.g. at loading points of automatic assembly machines.
- dangerous work areas must be secured in a continuously interlinked material flow without disturbing the material flow.
- the danger area must be secured on machines without a safety enclosure, e.g. on sheet metal processing machines, on presses, on film winding machines and on paper cutting machines.

The advantages of LCA at a glance

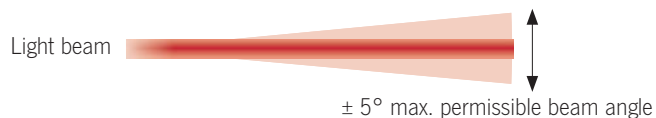
- High level of protection against tampering
- Category 4/PL e or category 2/PL c
- SIL 3 or SIL 1
- Less wiring work thanks to plug connector
- High degree of protection IP67/IP65
- Deflection mirrors permit versatile use
- Shorter access time and greater productivity through simple interaction between operator and machine
- Compact design
- Very simple setup through various start modes
- Wide product range with numerous applications

Differentiation between LCA devices of type 2 and type 4

On devices of type 2, the safety function is checked by periodic tests. Any fault is detected during the next periodic test, and the safety outputs are switched off. Light grids and light curtains of type 2 correspond to safety category SIL 1 and category 2/PL c can be achieved. The maximum permissible beam angle per light beam is $\pm 5^\circ$.

LCA type 2

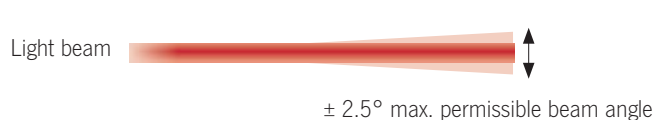
Category 2/PL c or SIL 1



Devices of type 4 can be used in applications requiring category 4/PL e and SIL 3. They are characterized by the property of switching off a machine movement as soon as a fault occurs. Automatic restarting is prevented. The maximum beam angle per light beam is $\pm 2.5^\circ$. The beam angle of the emitted beam is only half the size here, resulting in a much higher radiation density and, above all, much higher sensor immunity to reflections from highly reflective surfaces nearby.

LCA type 4

Category 4/PL e or SIL 3

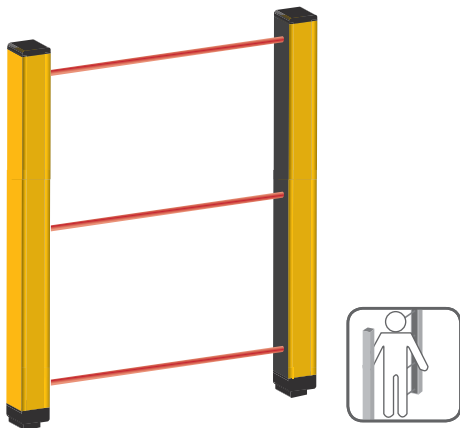


Light grids vs. light curtains

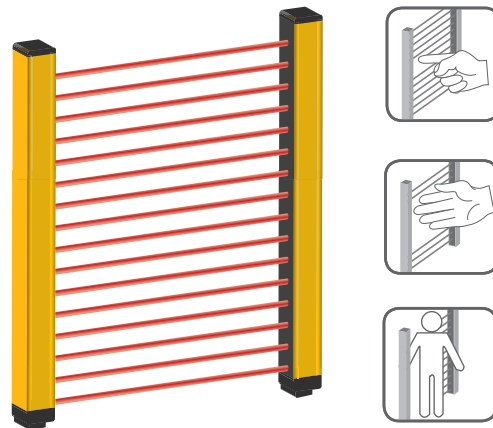
The basic distinction between light grids and light curtains is the number of light beams used to produce a protective field.

Light grids produce a protective field consisting of 2 - 4 light beams. Owing to the large distance between the individual light beams, light grids are particularly suitable for access control to large work areas and for applications involving a large distance between the operator and the hazardous movement.

Light curtains consist of many light beams, which can detect different body parts depending on the resolution (14 - 50 mm). A distinction is made between finger, hand and body protection.



Light grid
2 - 4 light beams



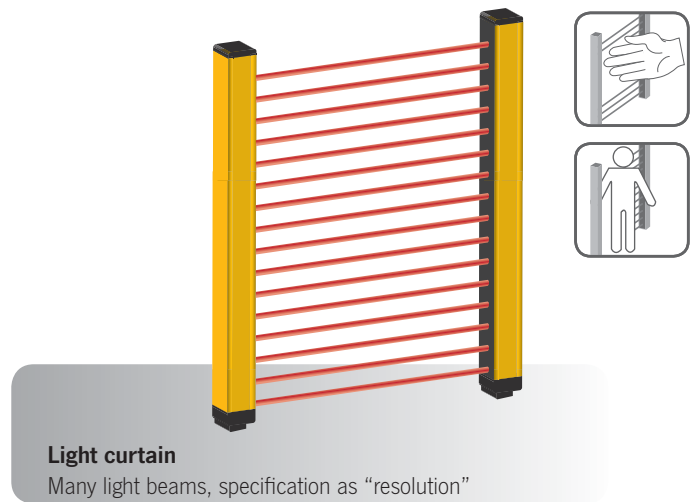
Light curtain
Many light beams, specification as "resolution"

	Resolution/beams	Protective function	
Light curtains	14 mm	Finger protection	
	30 mm	Hand protection	
	40 mm	Hand protection	
	50 mm	Body protection (arms/legs)	
Light grid	2	Access control	
	3	Access control	
	4	Access control	

Light curtains LCA type 2

LCA 2TR-30/40/50

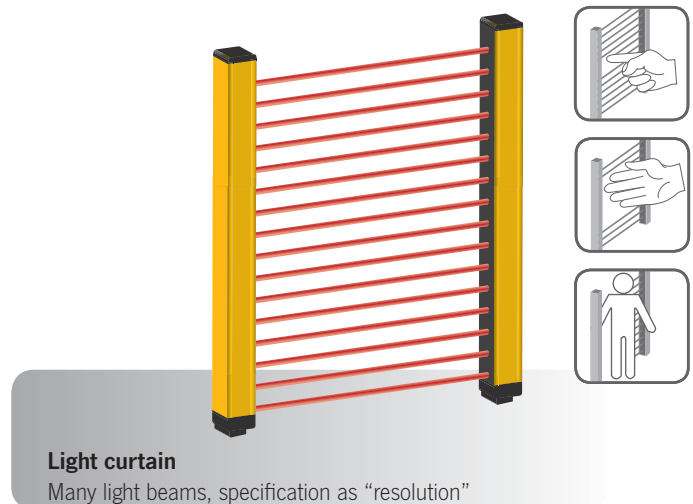
- ▶ BWS Type 2 according to EN IEC 61496-1
- ▶ Protective function hand protection/body protection (arms/legs)
- ▶ Resolution 30 ... 50 mm
- ▶ Feedback loop integration
- ▶ Protective field height 160 ... 1810 mm
- ▶ Degree of protection IP65/IP67
- ▶ 2 safety outputs
- ▶ PL c/category 2 according to EN ISO 13849-1
- ▶ SIL 1 according to EN IEC 62061



Light curtains LCA type 4

LCA 4TR-14/30/40/50

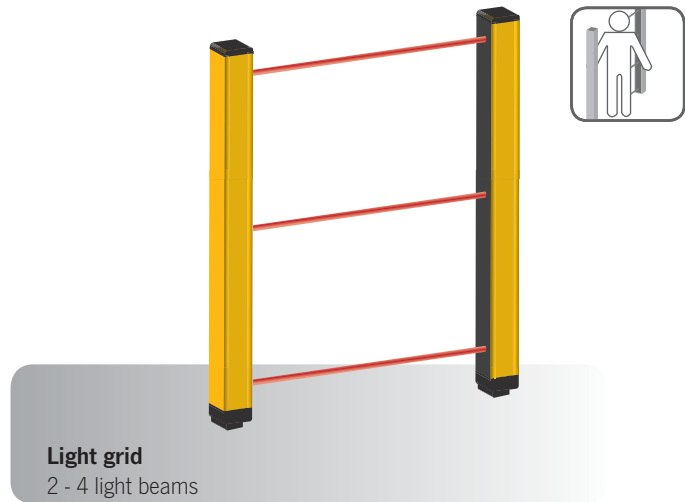
- ▶ BWS Type 4 according to EN IEC 61496-1
- ▶ Protective function finger protection/hand protection/body protection (arms/legs)
- ▶ Resolution 14 ... 50 mm
- ▶ Extended range
- ▶ Feedback loop integration
- ▶ Protective field height 160 ... 1810 mm
- ▶ Degree of protection IP65/IP67
- ▶ 2 safety outputs
- ▶ PL e/category 4 according to EN ISO 13849-1
- ▶ SIL 3 according to EN IEC 62061



Light grids LCA type 2

LCA 2TR-2B/3B/4B

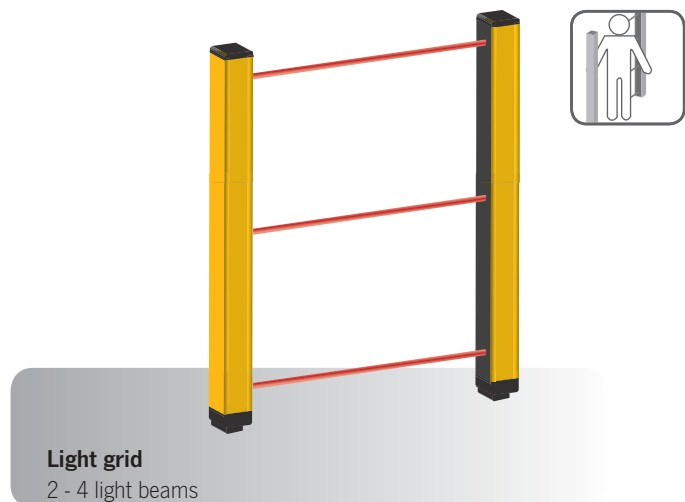
- ▶ BWS Type 2 according to EN IEC 61496-1
- ▶ Protective function access control
- ▶ Beams 2 ... 4
- ▶ Feedback loop integration
- ▶ Protective field height 510 ... 910 mm
- ▶ Degree of protection IP65/IP67
- ▶ 2 safety outputs
- ▶ PL c/category 2 according to EN ISO 13849-1
- ▶ SIL 1 according to EN IEC 62061



Light grids LCA type 4

LCA 4TR-2B/3B/4B

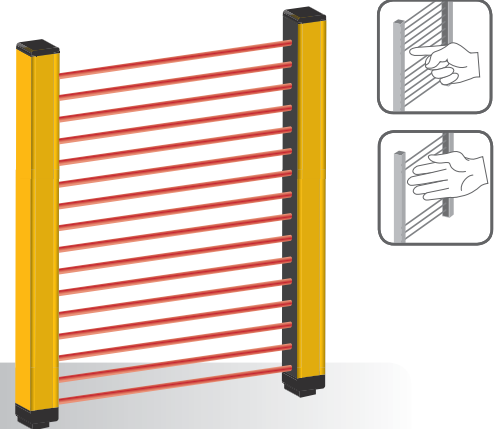
- ▶ BWS Type 4 according to EN IEC 61496-1
- ▶ Protective function access control
- ▶ Beams 2 ... 4
- ▶ Extended range
- ▶ Feedback loop integration
- ▶ Protective field height 510 ... 910 mm
- ▶ Degree of protection IP65/IP67
- ▶ 2 safety outputs
- ▶ PL e/category 4 according to EN ISO 13849-1
- ▶ SIL 3 according to EN IEC 62061



Light curtains LCA type 4 master / slave

LCA 4TR-M-14/30

- ▶ BWS Type 4 according to EN IEC 61496-1
- ▶ Protective function finger protection/hand protection
- ▶ Resolution 14 ... 30 mm
- ▶ Can be connected in series
- ▶ Feedback loop integration
- ▶ Protective field height 260 ... 1210 mm
- ▶ Degree of protection IP65/IP67
- ▶ 2 safety outputs
- ▶ PL e/category 4 according to EN ISO 13849-1
- ▶ SIL 3 according to EN IEC 62061

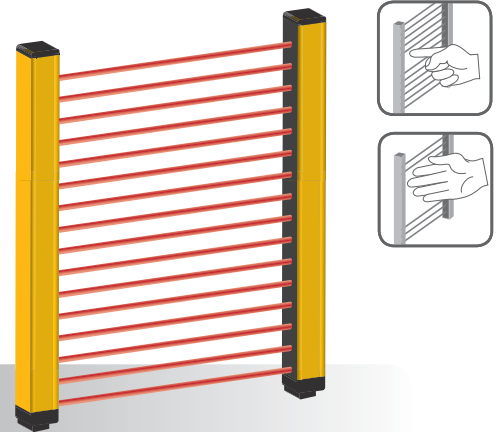


Light curtain

Many light beams, specification as "resolution"

LCA 4TR-S1-14/30

- ▶ BWS Type 4 according to EN IEC 61496-1
- ▶ Protective function finger protection/hand protection
- ▶ Resolution 14 ... 30 mm
- ▶ Can be connected in series
- ▶ Protective field height 160 ... 1210 mm
- ▶ Degree of protection IP65/IP67
- ▶ PL e/category 4 according to EN ISO 13849-1
- ▶ SIL 3 according to EN IEC 62061

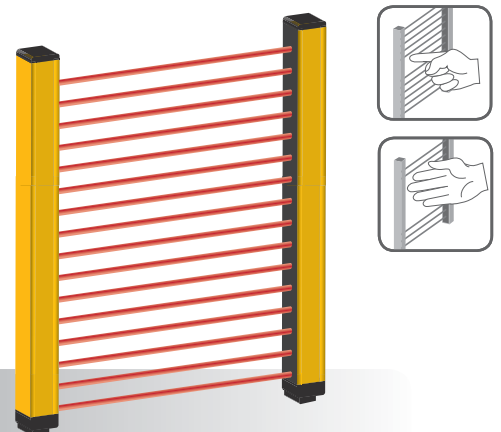


Light curtain

Many light beams, specification as "resolution"

LCA 4TR-S2-14/30

- ▶ BWS Type 4 according to EN IEC 61496-1
- ▶ Protective function finger protection/hand protection
- ▶ Resolution 14 ... 30 mm
- ▶ Can be connected in series
- ▶ Protective field height 310 ... 1210 mm
- ▶ Degree of protection IP65/IP67
- ▶ PL e/category 4 according to EN ISO 13849-1
- ▶ SIL 3 according to EN IEC 62061



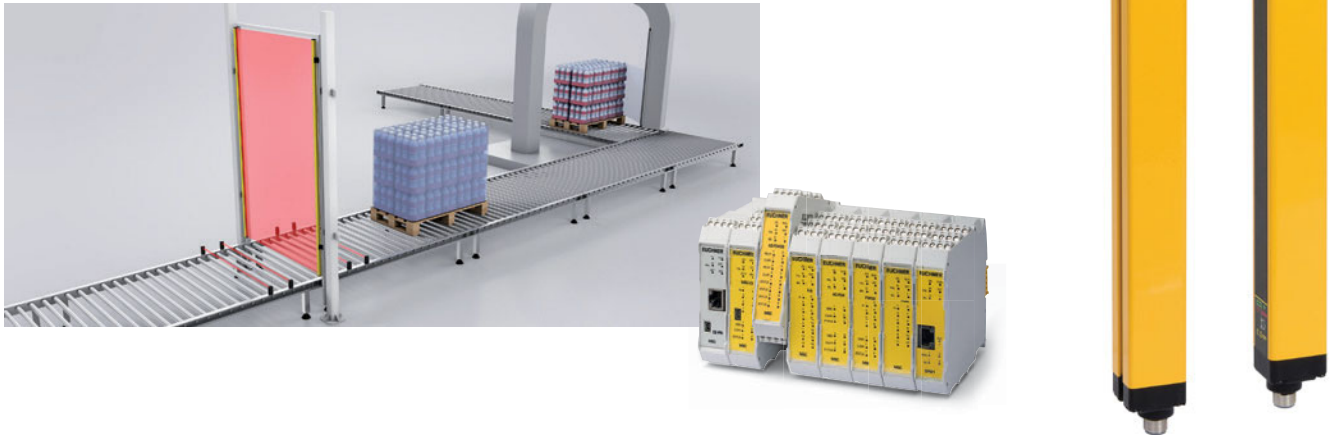
Light curtain

Many light beams, specification as "resolution"

Function expansion

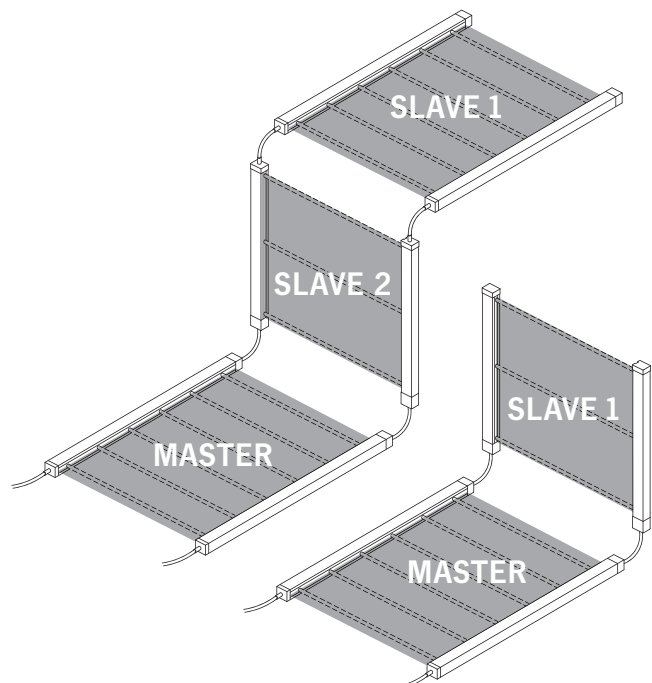
Muting

Muting allows safety functions of a light grid or light curtain to be bypassed automatically for a limited time. For example, parts supplied to a danger area can pass through the protective field without triggering the safety function. With the aid of additional sensors, the control system monitors the proper procedure and detects whether people move through the protective field instead of the defined parts, for example. This function is simple to implement with devices from series LCA and the programmable small control system MSC.



Cascading (series connection) of light curtains

Up to three light curtains of type 4 can be connected in series to secure danger areas. Various master/slave versions with various sizes and resolutions are available for this purpose. They can be combined with each other to implement different protective functions (finger and hand protection) at the same time. One frequently implemented application involves preventing people from stepping behind access protection. This ensures that nobody remains in an installation when it is to be started.



Versatile accessories

Deflection mirrors and mounting pillars

Mounting pillars are available for the installation of the light grids and light curtains; these pillars provide additional protection for the devices.

EUCHNER also offers a large number of deflection mirrors in different heights, both pre-assembled in mounting pillars and as separate products, ideal for fastening to profiles.

In this way the entire danger area can be secured using a single transmitter/receiver pair.

You can find accessories for your device very simply at

www.euchner.com.

Laser alignment aid and test rods

EUCHNER offers a laser alignment aid that simplifies the alignment of safety light grids and curtains with large ranges or on the usage of deflection mirrors.

It is possible to check the related protective function (finger protection, hand protection or body protection) with the aid of the test rods provided by EUCHNER.

You can find accessories for your device very simply at

www.euchner.com.

Connection material

EUCHNER offers a large selection of connection cables, plug connectors and other connection accessories.

You can find accessories for your device very simply at

www.euchner.com.

Installation material

EUCHNER also offers vibration dampers and brackets for a wide variety of fastening situations.

You can find accessories for your device very simply at

www.euchner.com.

»Cost-saving solution for applications up to PL c«

- ▶ Type 2 according to EN IEC 61496-1
- ▶ Safe monitoring options for any application
- ▶ Simple connection
- ▶ Integrated evaluation
- ▶ Feedback loop connection
- ▶ PL c/category 2 according to EN ISO 13849-1
- ▶ SIL 1 according to EN IEC 62061

LCA 2

LCA 2



Light grid LCA-2TR-B-... (2 ... 4 beams)



- ▶ **Number of beams: 2 ... 4 beams**
- ▶ **Protective function: access control**
- ▶ **Securing danger areas**
- ▶ **Range 12 m**
- ▶ **Installation material is included with the product**

Details

- ▶ Degree of protection IP65 and IP67
- ▶ Two safety outputs (OSSD)
- ▶ Plug connector M12
- ▶ Profile size 28 x 30 mm


Notice

- ▶ The operation mode is dependent on the results of the risk analysis.
- ▶ **Category according to EN ISO 13849-1**
2 semiconductor outputs, p-switching, short circuit-proof, suitable for:
PL c/category 2 according to EN ISO 13849-1
Each safety path is independently safe.
- ▶ ESPE type 2 according to DIN EN 61496-1

Further information

- ▶ Dimension drawings see p. 15
- ▶ Accessories and spare parts see p. 54

Ordering table

Series	Plug connector	Resolution/ beams	Reaction time [ms]	Protective field height [mm]	Order No./item	
LCA-2TR-B-...	Transmitter M12, 5-pin Receiver M12, 8-pin	2	3	510	156671 LCA-2TR-2B-510-AP	For detailed information, enter the order number for the product in the search box at www.euchner.com .
		3	3.5	810	156672 LCA-2TR-3B-810-AP	
		4	3.5	910	156673 LCA-2TR-4B-910-AP	

Dimension drawing

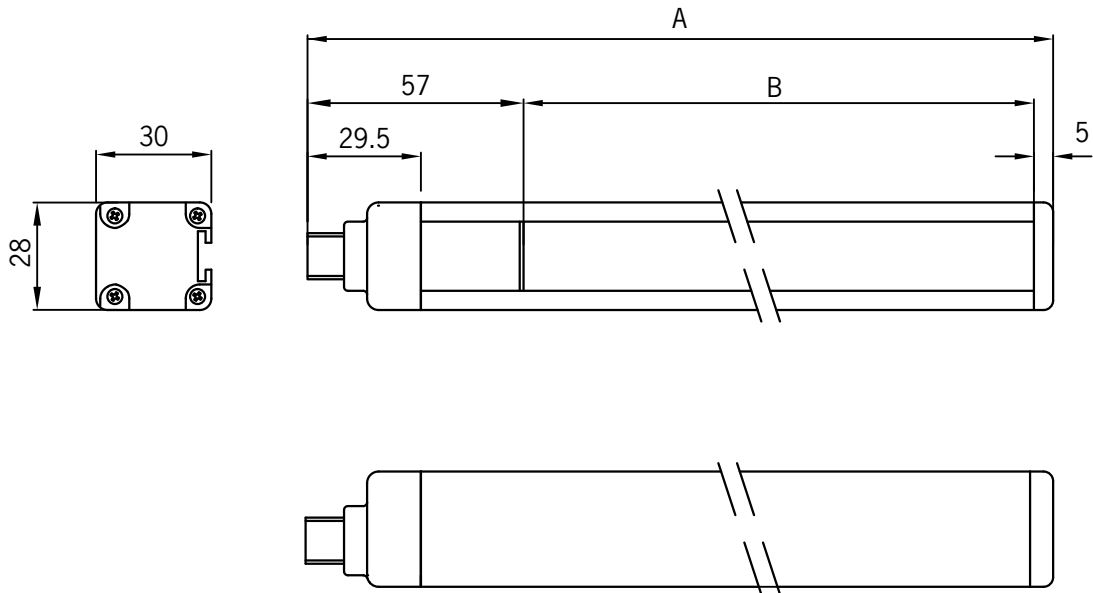


Table 1: Dimensions transmitter and receiver models LCA 2 2B, LCA 2 3B and LCA 2 4B

Height	Model		
	2B	3B	4B
A (Standard)	653	953	1053
B*	510	810	910
Mounting	2 holders AM-OS-B-A1 with 2 inserts		

B* = Distance display label to protective cap

Light curtains LCA-2TR-50-... (50 mm)



- ▶ **Resolution 50 mm**
- ▶ **Protective function: body protection (arms/legs)**
- ▶ **Range 12 m**
- ▶ **Installation material is included with the product**

Details

- ▶ Degree of protection IP65 and IP67
- ▶ Two safety outputs (OSSD)
- ▶ Plug connector M12
- ▶ Profile size 28 x 30 mm

Notice

- ▶ The operation mode is dependent on the results of the risk analysis.
- ▶ **Category according to EN ISO 13849-1**
2 semiconductor outputs, p-switching, short circuit-proof, suitable for:
PL c/category 2 according to EN ISO 13849-1
Each safety path is independently safe.
- ▶ ESPE type 2 according to DIN EN 61496-1

Further information

- ▶ Dimension drawings see p. 17
- ▶ Accessories and spare parts see p. 54

Ordering table

Series	Plug connector	Resolution/ beams	Reaction time [ms]	Protective field height [mm]	Order No./item	
LCA-2TR-50-...	Transmitter M12, 5-pin Receiver M12, 8-pin	50 mm	3.5	160	156659 LCA-2TR-50-160-AP	For detailed information, enter the order number in the search box at www.euchner.com .
			4.5	310	156660 LCA-2TR-50-310-AP	
			5.5	460	156661 LCA-2TR-50-460-AP	
			6	610	156662 LCA-2TR-50-610-AP	
			7	760	156663 LCA-2TR-50-760-AP	
			8	910	156664 LCA-2TR-50-910-AP	
			9	1060	156665 LCA-2TR-50-1060-AP	
			10	1210	156666 LCA-2TR-50-1210-AP	
			10.5	1360	156667 LCA-2TR-50-1360-AP	
			11.5	1510	156668 LCA-2TR-50-1510-AP	
			12	1660	156669 LCA-2TR-50-1660-AP	
			13	1810	156670 LCA-2TR-50-1810-AP	

Dimension drawing

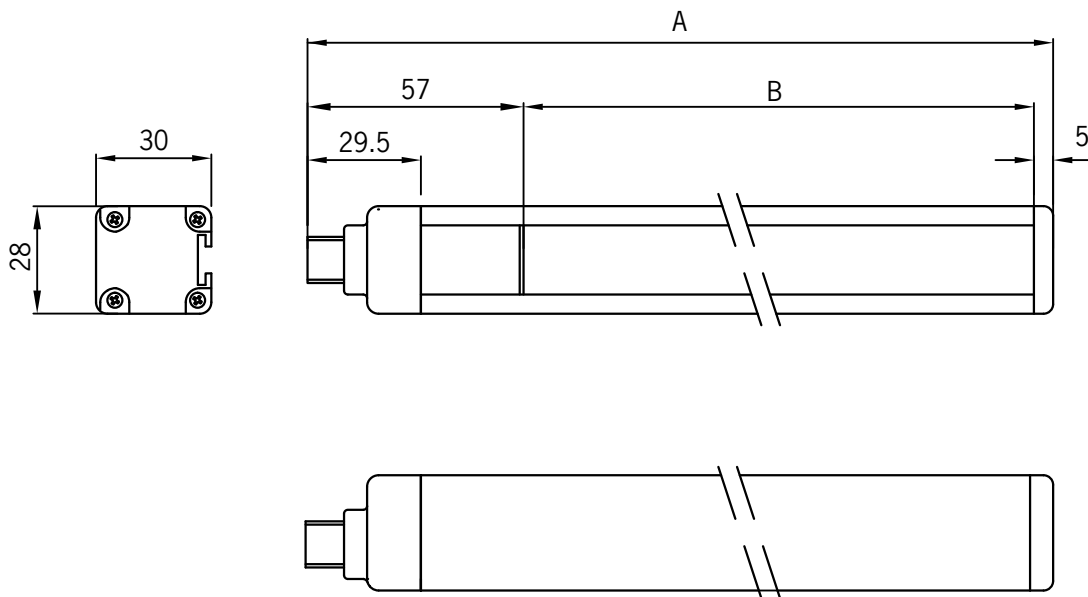


Table 2: Dimensions transmitter and receiver

Height	Model											
	160	310	460	610	760	910	1060	1210	1360	1510	1660	1810
A (Standard)	213	363	513	663	813	963	1113	1263	1413	1563	1713	1863
B*	150	300	450	600	750	900	1050	1200	1350	1500	1650	1800
Mounting	2 holders AM-OS-B-A1 with 2 inserts						3 holders AM-OS-B-A1 with 3 inserts					

B* = Distance display label to protective cap

Light curtains LCA-2TR-40-... (40 mm)



- ▶ **Resolution 40 mm**
- ▶ **Protective function: hand protection**
- ▶ **Range 12 m**
- ▶ **Installation material is included with the product**

Details

- ▶ Degree of protection IP65 and IP67
- ▶ Two safety outputs (OSSD)
- ▶ Plug connector M12
- ▶ Profile size 28 x 30 mm

Notice

- ▶ The operation mode is dependent on the results of the risk analysis.
- ▶ **Category according to EN ISO 13849-1**
2 semiconductor outputs, p-switching, short circuit-proof, suitable for:
PL c/category 2 according to EN ISO 13849-1
Each safety path is independently safe.
- ▶ ESPE type 2 according to DIN EN 61496-1

Further information

- ▶ Dimension drawings see p. 19
- ▶ Accessories and spare parts see p. 54

Ordering table

Series	Plug connector	Resolution/ beams	Reaction time [ms]	Protective field height [mm]	Order No./item	
LCA-2TR-40-...	Transmitter M12, 5-pin Receiver M12, 8-pin	40 mm	4	160	156647 LCA-2TR-40-160-AP	For detailed information, enter the order number in the search box at www.euchner.com .
			5	310	156648 LCA-2TR-40-310-AP	
			6	460	156649 LCA-2TR-40-460-AP	
			7.5	610	156650 LCA-2TR-40-610-AP	
			8.5	760	156651 LCA-2TR-40-760-AP	
			9.5	910	156652 LCA-2TR-40-910-AP	
			10.5	1060	156653 LCA-2TR-40-1060-AP	
			11.5	1210	156654 LCA-2TR-40-1210-AP	
			13	1360	156655 LCA-2TR-40-1360-AP	
			14	1510	156656 LCA-2TR-40-1510-AP	
			15	1660	156657 LCA-2TR-40-1660-AP	
			16	1810	156658 LCA-2TR-40-1810-AP	

Dimension drawing

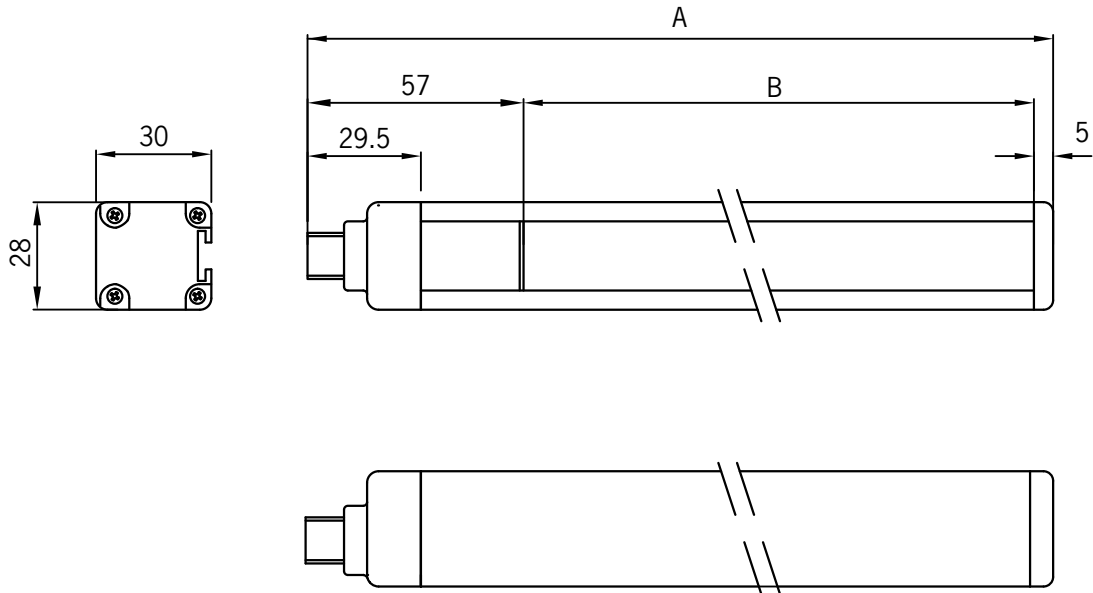


Table 3: Dimensions transmitter and receiver

Height	Model											
	160	310	460	610	760	910	1060	1210	1360	1510	1660	1810
A (Standard)	213	363	513	663	813	963	1113	1263	1413	1563	1713	1863
B*	150	300	450	600	750	900	1050	1200	1350	1500	1650	1800
Mounting	2 holders AM-OS-B-A1 with 2 inserts						3 holders AM-OS-B-A1 with 3 inserts					

B* = Distance display label to protective cap

Light curtains LCA-2TR-30-... (30 mm)



- ▶ **Resolution 30 mm**
- ▶ **Protective function: hand protection**
- ▶ **Range 12 m**
- ▶ **Installation material is included with the product**

Details

- ▶ Degree of protection IP65 and IP67
- ▶ Two safety outputs (OSSD)
- ▶ Plug connector M12
- ▶ Profile size 28 x 30 mm

Notice

- ▶ The operation mode is dependent on the results of the risk analysis.
- ▶ **Category according to EN ISO 13849-1**
2 semiconductor outputs, p-switching, short circuit-proof, suitable for:
PL c/category 2 according to EN ISO 13849-1
Each safety path is independently safe.
- ▶ ESPE type 2 according to DIN EN 61496-1

Further information

- ▶ Dimension drawings see p. 21
- ▶ Accessories and spare parts see p. 54

Ordering table

Series	Plug connector	Resolution/ beams	Reaction time [ms]	Protective field height [mm]	Order No./item	
LCA-2TR-30-...	Transmitter M12, 5-pin Receiver M12, 8-pin	30 mm	4.5	160	156635 LCA-2TR-30-160-AP	For detailed information, enter the order number in the search box at www.euchner.com .
			6	310	156636 LCA-2TR-30-310-AP	
			8	460	156637 LCA-2TR-30-460-AP	
			10	610	156638 LCA-2TR-30-610-AP	
			11	760	156639 LCA-2TR-30-760-AP	
			13	910	156640 LCA-2TR-30-910-AP	
			14.5	1060	156641 LCA-2TR-30-1060-AP	
			16	1210	156642 LCA-2TR-30-1210-AP	
			17.5	1360	156643 LCA-2TR-30-1360-AP	
			19.5	1510	156644 LCA-2TR-30-1510-AP	
			21	1660	156645 LCA-2TR-30-1660-AP	
22.5	1810	156646 LCA-2TR-30-1810-AP				

Dimension drawing

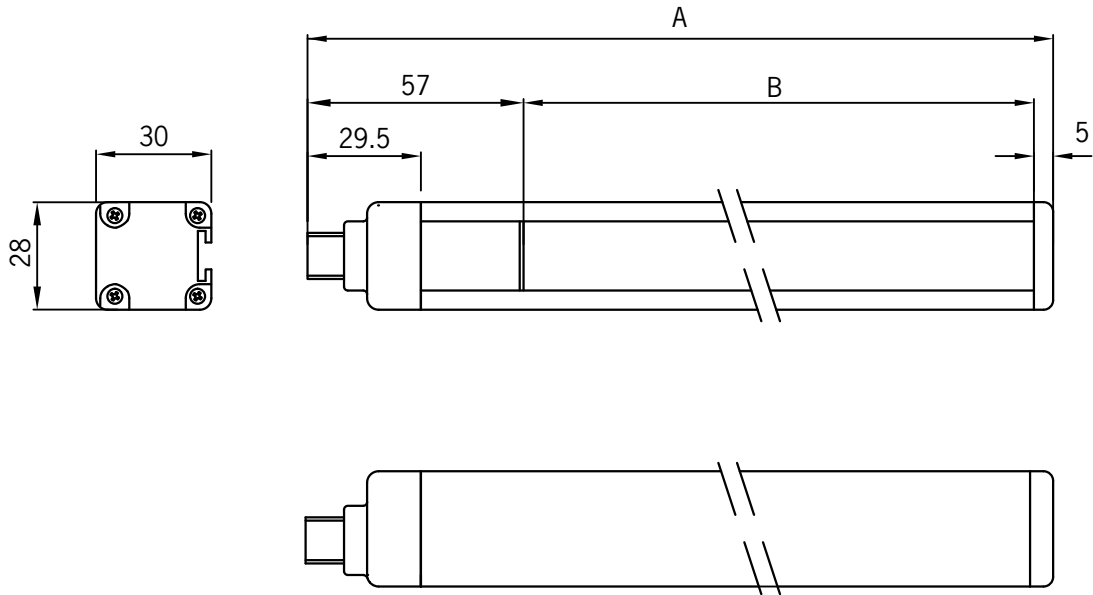


Table 4: Dimensions transmitter and receiver

Height	Model											
	160	310	460	610	760	910	1060	1210	1360	1510	1660	1810
A (Standard)	213	363	513	663	813	963	1113	1263	1413	1563	1713	1863
B*	150	300	450	600	750	900	1050	1200	1350	1500	1650	1800
Mounting	2 holders AM-OS-B-A1 with 2 inserts						3 holders AM-OS-B-A1 with 3 inserts					

B* = Distance display label to protective cap

»Invisible protection for every application«

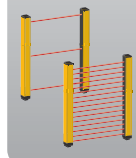
- ▶ Type 4 according to EN IEC 61496-1
- ▶ Safe monitoring options for any application
- ▶ Simple connection
- ▶ Integrated evaluation
- ▶ Feedback loop connection
- ▶ PL e/category 4 according to EN ISO 13849-1
- ▶ SIL 3 according to EN IEC 62061

LCA

4



LCA 4



LCA 4

Light grid LCA-4TR-.B-... (2 ... 4 beams)



- ▶ **Number of beams: 2 ... 4 beams**
- ▶ **Protective function: access control**
- ▶ **Securing danger areas**
- ▶ **Range 12 m/20 m**
- ▶ **Installation material is included with the product**

Details

- ▶ Degree of protection IP65 and IP67
- ▶ Two safety outputs (OSSD)
- ▶ Plug connector M12
- ▶ Profile size 28 x 30 mm

Notice

- ▶ The operation mode is dependent on the results of the risk analysis.
- ▶ **Category according to EN ISO 13849-1**
2 semiconductor outputs, p-switching, short circuit-proof, suitable for:
PL e/category 4 according to EN ISO 13849-1
Each safety path is independently safe.
- ▶ ESPE type 4 according to DIN EN 61496-1

Further information

- ▶ Dimension drawings see p. 25
- ▶ Accessories and spare parts see p. 54

Ordering table

Series	Plug connector	Resolution/ beams	Max. range	Reaction time [ms]	Protective field height [mm]	Order No./item	
LCA-4TR-.B-...	Transmitter M12, 5-pin	2	12 m	2.5	510	156584 LCA-4TR-2B-510-AP	For detailed information, enter the order number for the product in the search box at www.euchner.com .
		3		3	810	156585 LCA-4TR-3B-810-AP	
		4		3	910	156586 LCA-4TR-4B-910-AP	
	Receiver M12, 8-pin	2	20 m	2.5	510	156587 LCA-4TR-2B-510-AP	
		3		2.5	810	156588 LCA-4TR-3B-810-AP	
		4		2.5	910	156589 LCA-4TR-4B-910-AP	

Dimension drawing

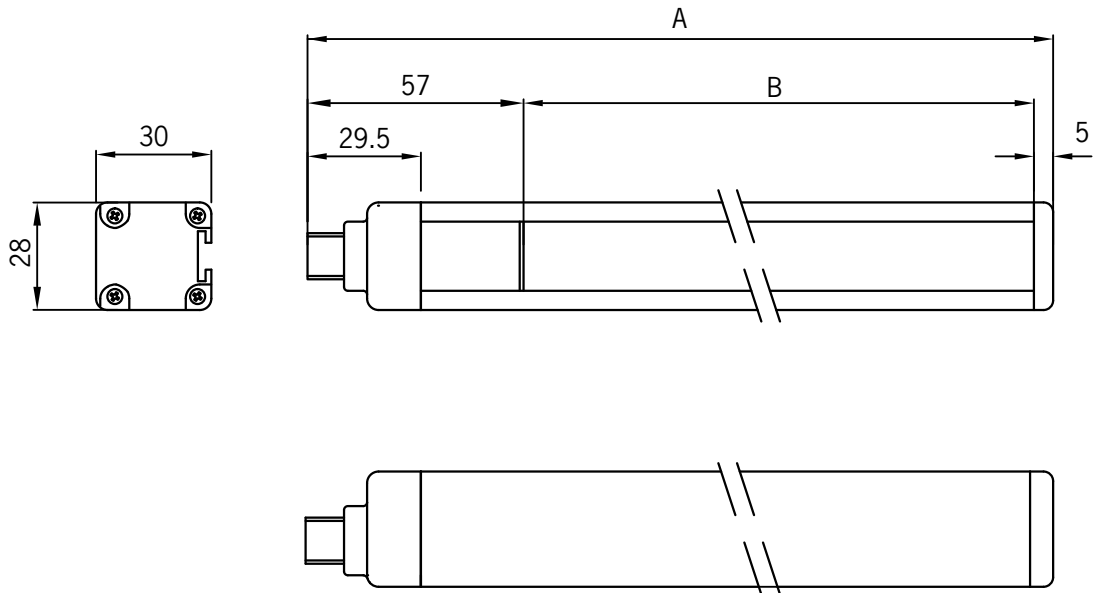


Table 5: Dimensions transmitter and receiver models LCA 2 2B, LCA 2 3B and LCA 2 4B

Height	Model		
	2B	3B	4B
A (Standard)	653	953	1053
B*	510	810	910
Mounting	2 holders AM-OS-B-A1 with 2 inserts		

B* = Distance display label to protective cap

Light curtains LCA-4TR-50-... (50 mm)



- ▶ **Resolution 50 mm**
- ▶ **Protective function: body protection (arms/legs)**
- ▶ **Range 12 m/20 m**
- ▶ **Installation material is included with the product**

Details

- ▶ Degree of protection IP65 and IP67
- ▶ Two safety outputs (OSSD)
- ▶ Plug connector M12
- ▶ Profile size 28 x 30 mm

Notice


- ▶ The operation mode is dependent on the results of the risk analysis.
- ▶ **Category according to EN ISO 13849-1**
2 semiconductor outputs, p-switching, short circuit-proof, suitable for:
PL e/category 4 according to EN ISO 13849-1
Each safety path is independently safe.
- ▶ ESPE type 4 according to DIN EN 61496-1

Further information

- ▶ Dimension drawings see p. 28
- ▶ Accessories and spare parts see p. 54

Ordering table

Series	Plug connector	Resolution/ beams	Max. range	Reaction time [ms]	Protective field height [mm]	Order No./item	
LCA-4TR-50-...	Transmitter M12, 5-pin Receiver M12, 8-pin	50 mm	12 m	3	160	156560 LCA-4TR-50-160-AP	For detailed information, enter the order number for the product in the search box at www.euchner.com .
				4	310	156561 LCA-4TR-50-310-AP	
				4.5	460	156562 LCA-4TR-50-460-AP	
				5.5	610	156562 LCA-4TR-50-610-AP	
				6.5	760	156564 LCA-4TR-50-760-AP	
				7.5	910	156565 LCA-4TR-50-910-AP	
				8.5	1060	156566 LCA-4TR-50-1060-AP	
				9	1210	156567 LCA-4TR-50-1210-AP	
				10	1360	156568 LCA-4TR-50-1360-AP	
				11	1510	156569 LCA-4TR-50-1510-AP	
				12	1660	156570 LCA-4TR-50-1660-AP	
				13	1810	156571 LCA-4TR-50-1810-AP	

Series	Plug connector	Resolution/ beams	Max. range	Reaction time [ms]	Protective field height [mm]	Order No./item	
LCA-4TR-50-...	Transmitter M12, 5-pin Receiver M12, 8-pin	50 mm	20 m	2.5	160	156572 LCA-4TR-50-160-AP	For detailed information, enter the order number for the product in the search box at www.euchner.com .
				3	310	156573 LCA-4TR-50-310-AP	
				3.5	460	156574 LCA-4TR-50-460-AP	
				4	610	156575 LCA-4TR-50-610-AP	
				4.5	760	156576 LCA-4TR-50-760-AP	
				5	910	156577 LCA-4TR-50-910-AP	
				5.5	1060	156578 LCA-4TR-50-1060-AP	
				6	1210	156579 LCA-4TR-50-1210-AP	
				6.5	1360	156580 LCA-4TR-50-1360-AP	
				7	1510	156581 LCA-4TR-50-1510-AP	
				7	1660	156582 LCA-4TR-50-1660-AP	
				8	1810	156583 LCA-4TR-50-1810-AP	

Dimension drawing

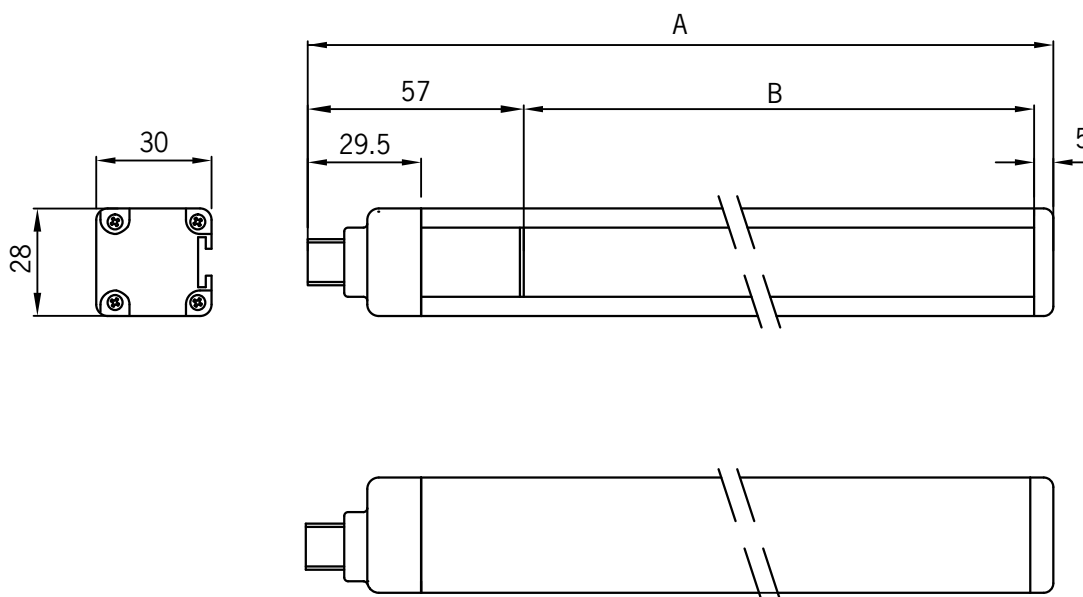


Table 6: Dimensions transmitter and receiver

Height	Model											
	160	310	460	610	760	910	1060	1210	1360	1510	1660	1810
A (Standard)	213	363	513	663	813	963	1113	1263	1413	1563	1713	1863
B*	150	300	450	600	750	900	1050	1200	1350	1500	1650	1800
Mounting	2 holders AM-OS-B-A1 with 2 inserts						3 holders AM-OS-B-A1 with 3 inserts					

B* = Distance display label to protective cap

Light curtains LCA-4TR-40-... (40 mm)



- ▶ **Resolution 40 mm**
- ▶ **Protective function: hand protection**
- ▶ **Range 12 m/20 m**
- ▶ **Installation material is included with the product**

Details

- ▶ Degree of protection IP65 and IP67
- ▶ Two safety outputs (OSSD)
- ▶ Plug connector M12
- ▶ Profile size 28 x 30 mm

Notice


- ▶ The operation mode is dependent on the results of the risk analysis.
- ▶ **Category according to EN ISO 13849-1**
2 semiconductor outputs, p-switching, short circuit-proof, suitable for:
PL e/category 4 according to EN ISO 13849-1
Each safety path is independently safe.
- ▶ ESPE type 4 according to DIN EN 61496-1

Further information

- ▶ Dimension drawings see p. 32
- ▶ Accessories and spare parts see p. 54

Ordering table

Series	Plug connector	Resolution/ beams	Max. range	Reaction time [ms]	Protective field height [mm]	Order No./item	
LCA-4TR-40-...	Transmitter M12, 5-pin Receiver M12, 8-pin	40 mm	12 m	3.5	160	156536 LCA-4TR-40-160-AP	For detailed information, enter the order number for the product in the search box at www.euchner.com .
				4.5	310	156537 LCA-4TR-40-310-AP	
				5.5	460	156538 LCA-4TR-40-460-AP	
				7	610	156539 LCA-4TR-40-610-AP	
				8	760	156540 LCA-4TR-40-760-AP	
				9	910	156541 LCA-4TR-40-910-AP	
				10	1060	156542 LCA-4TR-40-1060-AP	
				11	1210	156543 LCA-4TR-40-1210-AP	
				12.5	1360	156544 LCA-4TR-40-1360-AP	
				13.5	1510	156545 LCA-4TR-40-1510-AP	
				14.5	1660	156546 LCA-4TR-40-1660-AP	
15.5	1810	156547 LCA-4TR-40-1810-AP					

Series	Plug connector	Resolution/ beams	Max. range	Reaction time [ms]	Protective field height [mm]	Order No./item	
LCA-4TR-40-...	Transmitter M12, 5-pin Receiver M12, 8-pin	40 mm	20 m	3	160	156548 LCA-4TR-40-160-AP	For detailed information, enter the order number for the product in the search box at www.euchner.com .
				3.5	310	156549 LCA-4TR-40-310-AP	
				4	460	156550 LCA-4TR-40-460-AP	
				4.5	610	156551 LCA-4TR-40-610-AP	
				5	760	156552 LCA-4TR-40-760-AP	
				6	910	156553 LCA-4TR-40-910-AP	
				6.5	1060	156554 LCA-4TR-40-1060-AP	
				7	1210	156555 LCA-4TR-40-1210-AP	
				7.5	1360	156556 LCA-4TR-40-1360-AP	
				8	1510	156557 LCA-4TR-40-1510-AP	
				8.5	1660	156558 LCA-4TR-40-1660-AP	
9.5	1810	156559 LCA-4TR-40-1810-AP					

Dimension drawing

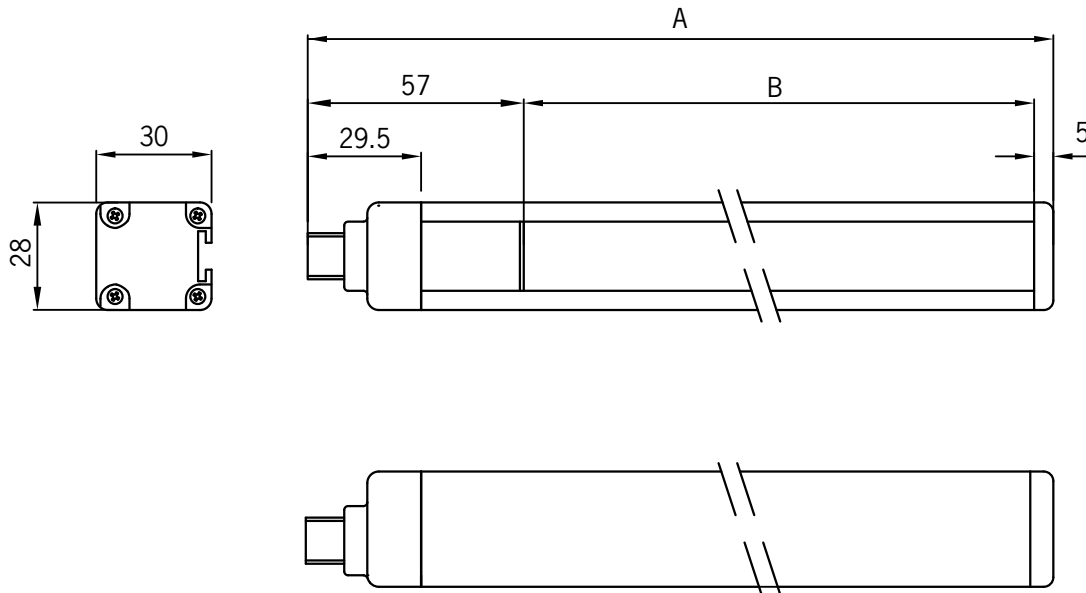


Table 7: Dimensions transmitter and receiver

Height	Model											
	160	310	460	610	760	910	1060	1210	1360	1510	1660	1810
A (Standard)	213	363	513	663	813	963	1113	1263	1413	1563	1713	1863
B*	150	300	450	600	750	900	1050	1200	1350	1500	1650	1800
Mounting	2 holders AM-OS-B-A1 with 2 inserts						3 holders AM-OS-B-A1 with 3 inserts					

B* = Distance display label to protective cap

Light curtains LCA-4TR-30-... (30 mm)



- ▶ Resolution 30 mm
- ▶ Protective function: hand protection
- ▶ Range 12 m/20 m
- ▶ Installation material is included with the product

Details

- ▶ Degree of protection IP65 and IP67
- ▶ Two safety outputs (OSSD)
- ▶ Plug connector M12
- ▶ Profile size 28 x 30 mm

Notice

- ▶ The operation mode is dependent on the results of the risk analysis.
- ▶ **Category according to EN ISO 13849-1**
2 semiconductor outputs, p-switching, short circuit-proof, suitable for:
PL e/category 4 according to EN ISO 13849-1
Each safety path is independently safe.
- ▶ ESPE type 4 according to DIN EN 61496-1

Further information

- ▶ Dimension drawings see p. 36
- ▶ Accessories and spare parts see p. 54

Ordering table

Series	Plug connector	Resolution/ beams	Max. range	Reaction time [ms]	Protective field height [mm]	Order No./item	
LCA-4TR-30-...	Transmitter M12, 5-pin Receiver M12, 8-pin	30 mm	12 m	4	160	156512 LCA-4TR-30-160-AP	For detailed information, enter the order number in the search box at www.euchner.com .
				5.5	310	156513 LCA-4TR-30-310-AP	
				7.5	460	156514 LCA-4TR-30-460-AP	
				9	610	156515 LCA-4TR-30-610-AP	
				10.5	760	156516 LCA-4TR-30-760-AP	
				12.5	910	156517 LCA-4TR-30-910-AP	
				14	1060	156518 LCA-4TR-30-1060-AP	
				15.5	1210	156519 LCA-4TR-30-1210-AP	
				17	1360	156520 LCA-4TR-30-1360-AP	
				19	1510	156521 LCA-4TR-30-1510-AP	
				20.5	1660	156522 LCA-4TR-30-1660-AP	
22.5	1810	156523 LCA-4TR-30-1810-AP					

Series	Plug connector	Resolution/ beams	Max. range	Reaction time [ms]	Protective field height [mm]	Order No./item	
LCA-4TR-30-...	Transmitter M12, 5-pin Receiver M12, 8-pin	30 mm	20 m	3	160	156524 LCA-4TR-30-160-AP	For detailed information, enter the order number for the product in the search box at www.euchner.com .
				4	310	156525 LCA-4TR-30-310-AP	
				5	460	156526 LCA-4TR-30-460-AP	
				6	610	156527 LCA-4TR-30-610-AP	
				6.5	760	156528 LCA-4TR-30-760-AP	
				7.5	910	156529 LCA-4TR-30-910-AP	
				8.5	1060	156530 LCA-4TR-30-1060-AP	
				9.5	1210	156531 LCA-4TR-30-1210-AP	
				10	1360	156532 LCA-4TR-30-1360-AP	
				11	1510	156533 LCA-4TR-30-1510-AP	
				12	1660	156534 LCA-4TR-30-1660-AP	
13	1810	156535 LCA-4TR-30-1810-AP					

Dimension drawing

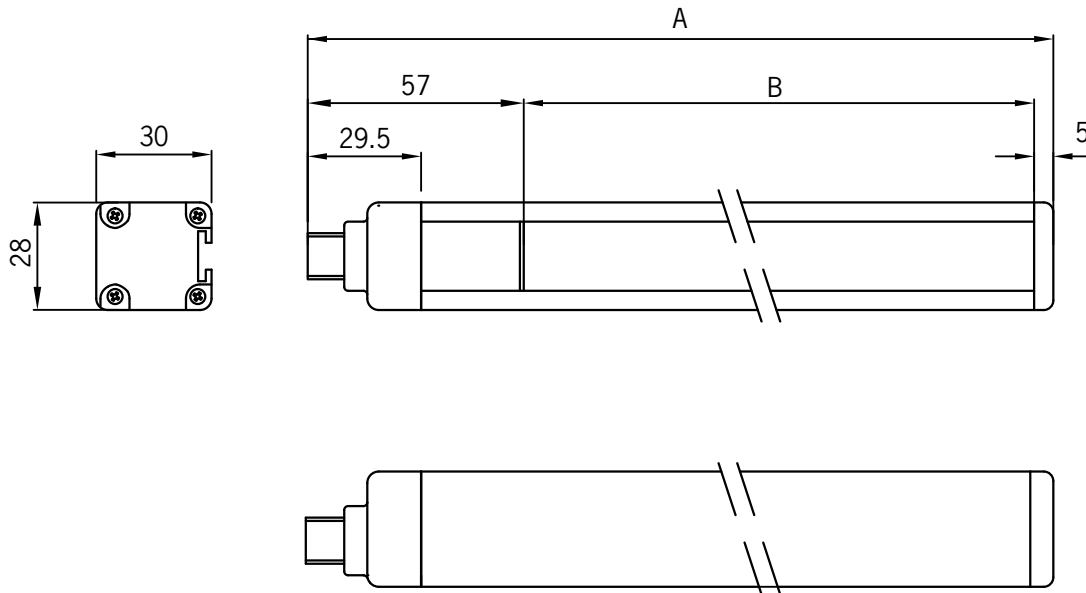


Table 8: Dimensions transmitter and receiver

Height	Model											
	160	310	460	610	760	910	1060	1210	1360	1510	1660	1810
A (Standard)	213	363	513	663	813	963	1113	1263	1413	1563	1713	1863
B*	150	300	450	600	750	900	1050	1200	1350	1500	1650	1800
Mounting	2 holders AM-OS-B-A1 with 2 inserts						3 holders AM-OS-B-A1 with 3 inserts					

B* = Distance display label to protective cap

Light curtains LCA-4TR-14-... (14 mm)



- ▶ **Resolution 14 mm**
- ▶ **Protective function: finger protection**
- ▶ **Range 6 m**
- ▶ **Installation material is included with the product**

Details

- ▶ Degree of protection IP65 and IP67
- ▶ Two safety outputs (OSSD)
- ▶ Plug connector M12
- ▶ Profile size 28 x 30 mm

Notice

- ▶ The operation mode is dependent on the results of the risk analysis.
- ▶ **Category according to EN ISO 13849-1**
2 semiconductor outputs, p-switching, short circuit-proof, suitable for:
PL e/category 4 according to EN ISO 13849-1
Each safety path is independently safe.
- ▶ ESPE type 4 according to DIN EN 61496-1

Further information

- ▶ Dimension drawings see p. 39
- ▶ Accessories and spare parts see p. 54

Ordering table

Series	Plug connector	Resolution/ beams	Max. range	Reaction time [ms]	Protective field height [mm]	Order No./item	
LCA-4TR-14-...	Transmitter M12, 5-pin Receiver M12, 8-pin	14 mm	6 m	4	160	156500 LCA-4TR-14-160-AP	For detailed information, enter the order number for the product in the search box at www.euchner.com .
				5.5	310	156501 LCA-4TR-14-310-AP	
				7.5	460	156502 LCA-4TR-14-460-AP	
				9	610	156503 LCA-4TR-14-610-AP	
				11	760	156504 LCA-4TR-14-760-AP	
				13	910	156505 LCA-4TR-14-910-AP	
				14.5	1060	156506 LCA-4TR-14-1060-AP	
				16.5	1210	156507 LCA-4TR-14-1210-AP	
				18	1360	156508 LCA-4TR-14-1360-AP	
				20	1510	156509 LCA-4TR-14-1510-AP	
				22	1660	156510 LCA-4TR-14-1660-AP	
				23.5	1810	156511 LCA-4TR-14-1810-AP	

Dimension drawing

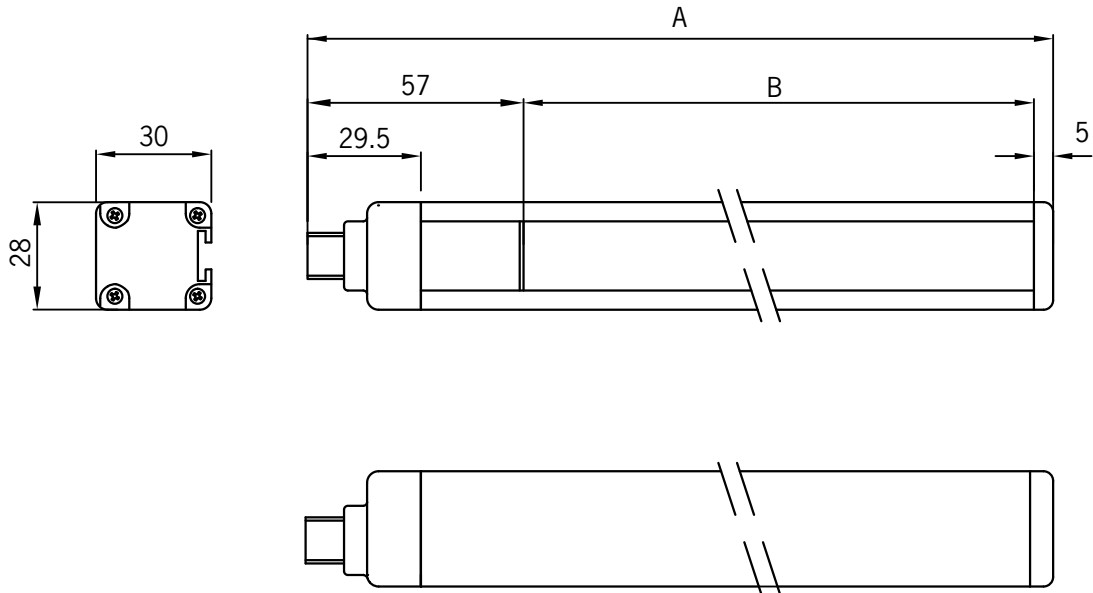


Table 9: Dimensions transmitter and receiver

Height	Model											
	160	310	460	610	760	910	1060	1210	1360	1510	1660	1810
A (Standard)	213	363	513	663	813	963	1113	1263	1413	1563	1713	1863
B*	150	300	450	600	750	900	1050	1200	1350	1500	1650	1800
Mounting	2 holders AM-OS-B-A1 with 2 inserts						3 holders AM-OS-B-A1 with 3 inserts					

B* = Distance display label to protective cap

»Efficient wiring of up to 3 devices«

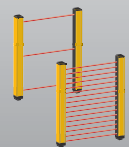
- ▶ Type 4 according to EN IEC 61496-1
- ▶ Cascading (series connection)
- ▶ Safe monitoring options for any application
- ▶ Simple connection
- ▶ Integrated evaluation
- ▶ Feedback loop connection
- ▶ PL e/category 4 according to EN ISO 13849-1
- ▶ SIL 3 according to EN IEC 62061

LCA

4
Master/slave



LCA 4
Master/slave



The diagram illustrates the installation of the LCA 4 Master/slave safety sensor. It shows two vertical posts connected by a horizontal cable. The cable is shown in two configurations: one where it is taut and another where it is slack, demonstrating the sensor's ability to detect the presence of the cable.

LCA 4
Master/slave

Light curtains LCA-4TR-M-30-... (Master, 30 mm)



- ▶ **Master device**
- ▶ **Resolution 30 mm**
- ▶ **Protective function: hand protection**
- ▶ **Range 12 m**
- ▶ **Installation material is included with the product**

Details

- ▶ Degree of protection IP65 and IP67
- ▶ Two safety outputs (OSSD)
- ▶ Plug connector M12
- ▶ Profile size 28 x 30 mm

Notice

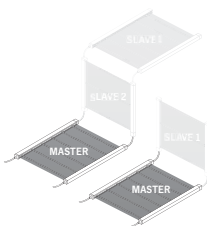
- ▶ The operation mode is dependent on the results of the risk analysis.
- ▶ **Category according to EN ISO 13849-1**
2 semiconductor outputs, p-switching, short circuit-proof, suitable for:
PL e/category 4 according to EN ISO 13849-1
Each safety path is independently safe.
- ▶ ESPE type 4 according to DIN EN 61496-1

Further information

- ▶ Dimension drawings see p. 43
- ▶ Accessories and spare parts see p. 54
- ▶ Cascading: connection cable between master and slaves: max. 50 m

Ordering table

Series	Plug connector	Resolution/beams	Max. range	Reaction time [ms]	Protective field height [mm]	Order No./item	
LCA-4TR-M-30-...	Transmitter 2 x M12, 5-pin Receiver 1 x M12, 8-pin 1 x M12, 5-pin	30 mm	12 m	Depending on cascading. Formula, see operating instructions.	260	156597 LCA-4TR-M-30-260-AP	For detailed information, enter the order number for the product in the search box at www.euchner.com .
					310	156598 LCA-4TR-M-30-310-AP	
					460	156599 LCA-4TR-M-30-460-AP	
					610	156600 LCA-4TR-M-30-610-AP	
					760	156601 LCA-4TR-M-30-760-AP	
					910	156602 LCA-4TR-M-30-910-AP	
					1060	156603 LCA-4TR-M-30-1060-AP	
					1210	156604 LCA-4TR-M-30-1210-AP	



Dimension drawing

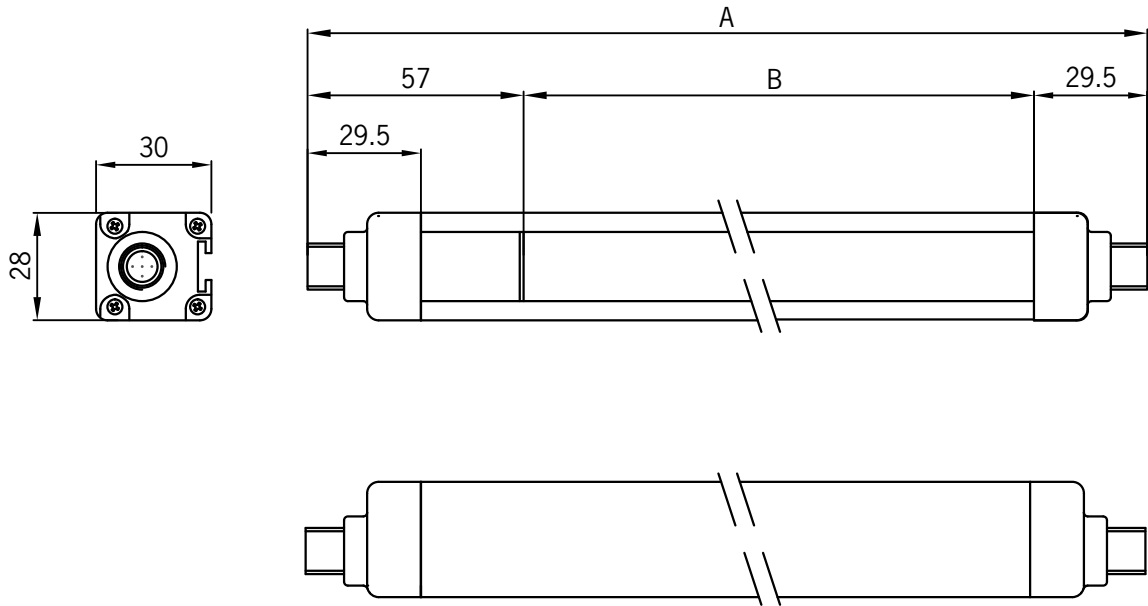


Table 10: Dimensions transmitter and receiver

Height	Model							
	260	310	460	610	760	910	1060	1210
A (master)	336	386	536	686	836	986	1136	1286
B*	250	300	450	600	750	900	1050	1200
Mounting	2 holders AM-OS-B-A1 with 2 inserts						3 holders AM-OS-B-A1 with 3 inserts	

B* = Distance display label to protective cap

Light curtains LCA-4TR-M-14-... (Master, 14 mm)



- ▶ **Master device**
- ▶ **Resolution 14 mm**
- ▶ **Protective function: finger protection**
- ▶ **Range 6 m**
- ▶ **Installation material is included with the product**

Details

- ▶ Degree of protection IP65 and IP67
- ▶ Two safety outputs (OSSD)
- ▶ Plug connector M12
- ▶ Profile size 28 x 30 mm

Notice

- ▶ The operation mode is dependent on the results of the risk analysis.
- ▶ **Category according to EN ISO 13849-1**
2 semiconductor outputs, p-switching, short circuit-proof, suitable for:
PL e/category 4 according to EN ISO 13849-1
Each safety path is independently safe.
- ▶ ESPE type 4 according to DIN EN 61496-1

Further information

- ▶ Dimension drawings see p. 45
- ▶ Accessories and spare parts see p. 54
- ▶ Cascading: connection cable between master and slaves: max. 50 m

Ordering table

Series	Plug connector	Resolution/ beams	Max. range	Reaction time [ms]	Protective field height [mm]	Order No./item	
LCA-4TR-M-14-... 	Transmitter 2 x M12, 5-pin Receiver 1 x M12, 8-pin 1 x M12, 5-pin	14 mm	6 m	Depending on cascading. Formula, see operating instructions.	310	156590 LCA-4TR-M-14-310-AP	For detailed information, enter the order number for the product in the search box at www.euchner.com .
					460	156591 LCA-4TR-M-14-460-AP	
					610	156592 LCA-4TR-M-14-610-AP	
					760	156593 LCA-4TR-M-14-760-AP	
					910	156594 LCA-4TR-M-14-910-AP	
					1060	156595 LCA-4TR-M-14-1060-AP	
					1210	156596 LCA-4TR-M-14-1210-AP	

Dimension drawing

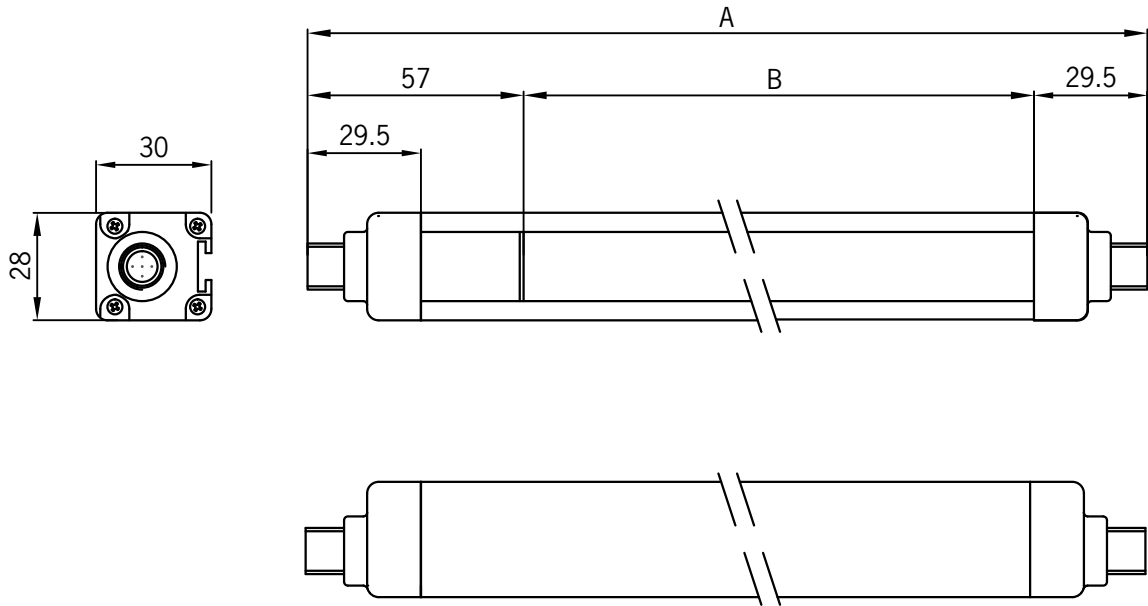


Table 11: Dimensions transmitter and receiver

Height	Model						
	310	460	610	760	910	1060	1210
A (master)	386	536	686	836	986	1136	1286
B*	300	450	600	750	900	1050	1200
Mounting	2 holders AM-OS-B-A1 with 2 inserts					3 holders AM-OS-B-A1 with 3 inserts	

B* = Distance display label to protective cap

Light curtains LCA-4TR-S1-30-... (Slave 1, 30 mm)



Details

- ▶ Degree of protection IP65 and IP67
- ▶ Plug connector M12
- ▶ Profile size 28 x 30 mm

Notice

- ▶ The operation mode is dependent on the results of the risk analysis.
- ▶ **Category according to EN ISO 13849-1** suitable for:
PL e/category 4 according to EN ISO 13849-1
Each safety path is independently safe.
- ▶ ESPE type 4 according to DIN EN 61496-1

Further information

- ▶ Dimension drawings see p. 47
- ▶ Accessories and spare parts see p. 54
- ▶ Cascading: connection cable between master and slaves: max. 50 m

- ▶ **Slave 1 device**
- ▶ **Resolution 30 mm**
- ▶ **Protective function: hand protection**
- ▶ **Range 12 m**
- ▶ **Installation material is included with the product**

Ordering table

Series	Plug connector	Resolution/beams	Max. range	Reaction time [ms]	Protective field height [mm]	Order No./item	
LCA-4TR-S1-30-... 	Transmitter 1 x M12, 5-pin Receiver 1 x M12, 5-pin	30 mm	12 m	Depending on cascading. Formula, see operating instructions.	160	156613 LCA-4TR-S1-30-160-AP	For detailed information, enter the order number for the product in the search box at www.euchner.com .
					310	156614 LCA-4TR-S1-30-310-AP	
					460	156615 LCA-4TR-S1-30-460-AP	
					610	156616 LCA-4TR-S1-30-610-AP	
					760	156617 LCA-4TR-S1-30-760-AP	
					910	156618 LCA-4TR-S1-30-910-AP	
					1060	156619 LCA-4TR-S1-30-1060-AP	
					1210	156620 LCA-4TR-S1-30-1210-AP	

Dimension drawing

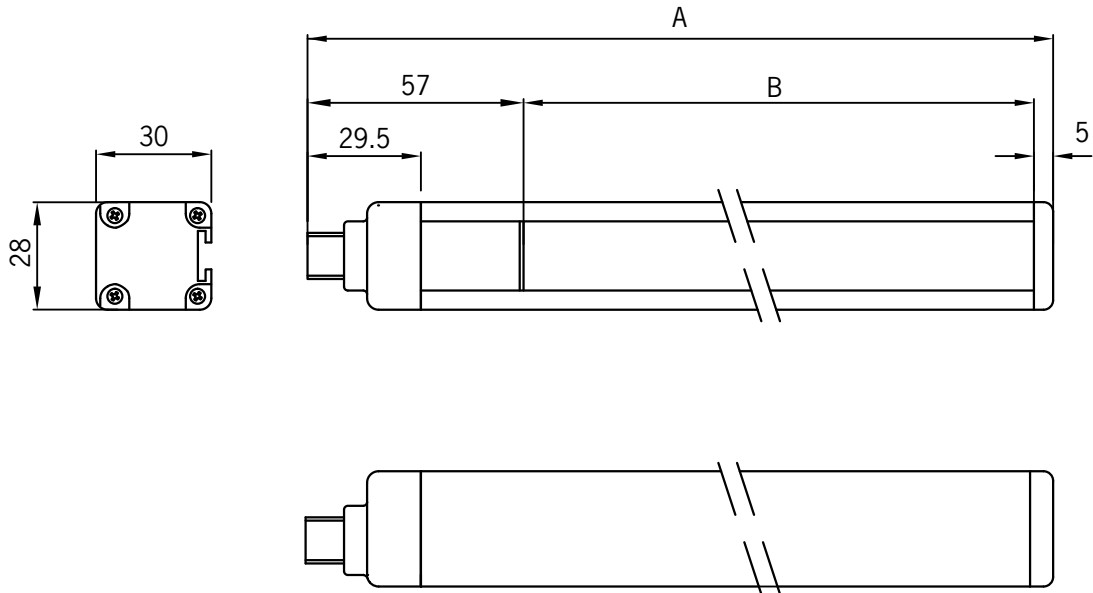


Table 12: Dimensions transmitter and receiver

Height	Model							
	160	310	460	610	760	910	1060	1210
A (slave 1)	213	363	513	663	813	963	1113	1263
B*	150	300	450	600	750	900	1050	1200
Mounting	2 holders AM-OS-B-A1 with 2 inserts						3 holders AM-OS-B-A1 with 3 inserts	

B* = Distance display label to protective cap

Light curtains LCA-4TR-S1-14-... (Slave 1, 14 mm)



Details

- ▶ Degree of protection IP65 and IP67
- ▶ Plug connector M12
- ▶ Profile size 28 x 30 mm

Notice

- ▶ The operation mode is dependent on the results of the risk analysis.
- ▶ **Category according to EN ISO 13849-1** suitable for:
PL e/category 4 according to EN ISO 13849-1
Each safety path is independently safe.
- ▶ ESPE type 4 according to DIN EN 61496-1

Further information

- ▶ Dimension drawings see p. 49
- ▶ Accessories and spare parts see p. 54
- ▶ Cascading: connection cable between master and slaves: max. 50 m

- ▶ **Slave 1 device**
- ▶ **Resolution 14 mm**
- ▶ **Protective function: finger protection**
- ▶ **Range 6 m**
- ▶ **Installation material is included with the product**

Ordering table

Series	Plug connector	Resolution/beams	Max. range	Reaction time [ms]	Protective field height [mm]	Order No./item	
LCA-4TR-S1-14-... 	Transmitter 1 x M12, 5-pin Receiver 1 x M12, 5-pin	14 mm	6 m	Depending on cascading. Formula, see operating instructions.	160	156605 LCA-4TR-S1-14-160-AP	For detailed information, enter the order number for the product in the search box at www.euchner.com .
					310	156606 LCA-4TR-S1-14-310-AP	
					460	156607 LCA-4TR-S1-14-460-AP	
					610	156608 LCA-4TR-S1-14-610-AP	
					760	156609 LCA-4TR-S1-14-760-AP	
					910	156610 LCA-4TR-S1-14-910-AP	
					1060	156611 LCA-4TR-S1-14-1060-AP	
					1210	156612 LCA-4TR-S1-14-1210-AP	

Dimension drawing

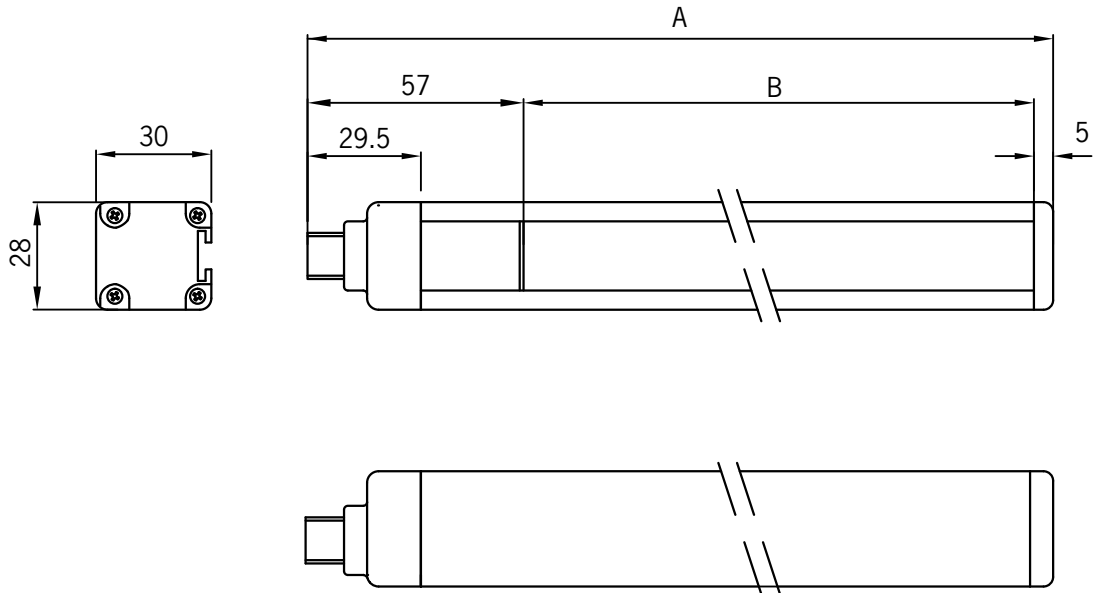


Table 13: Dimensions transmitter and receiver

Height	Model							
	160	310	460	610	760	910	1060	1210
A (slave 1)	213	363	513	663	813	963	1113	1263
B*	150	300	450	600	750	900	1050	1200
Mounting	2 holders AM-OS-B-A1 with 2 inserts						3 holders AM-OS-B-A1 with 3 inserts	

B* = Distance display label to protective cap

Light curtains LCA-4TR-S2-30-... (Slave 2, 30 mm)



Details

- ▶ Degree of protection IP65 and IP67
- ▶ Plug connector M12
- ▶ Profile size 28 x 30 mm

Notice

- ▶ The operation mode is dependent on the results of the risk analysis.
- ▶ **Category according to EN ISO 13849-1** suitable for:
PL e/category 4 according to EN ISO 13849-1
Each safety path is independently safe.
- ▶ ESPE type 4 according to DIN EN 61496-1

Further information

- ▶ Dimension drawings see p. 51
- ▶ Accessories and spare parts see p. 54
- ▶ Cascading: connection cable between master and slaves: max. 50 m

- ▶ **Slave 2 device**
- ▶ **Resolution 30 mm**
- ▶ **Protective function: hand protection**
- ▶ **Range 12 m**
- ▶ **Installation material is included with the product**

Ordering table

Series	Plug connector	Resolution/beams	Max. range	Reaction time [ms]	Protective field height [mm]	Order No./item	
LCA-4TR-S2-30-... 	Transmitter 2 x M12, 5-pin Receiver 2 x M12, 5-pin	30 mm	12 m	Depending on cascading. Formula, see operating instructions.	310	156628 LCA-4TR-S2-30-310-AP	For detailed information, enter the order number for the product in the search box at www.euchner.com .
					460	156629 LCA-4TR-S2-30-460-AP	
					610	156630 LCA-4TR-S2-30-610-AP	
					760	156631 LCA-4TR-S2-30-760-AP	
					910	156632 LCA-4TR-S2-30-910-AP	
					1060	156633 LCA-4TR-S2-30-1060-AP	
					1210	156634 LCA-4TR-S2-30-1210-AP	

Dimension drawing

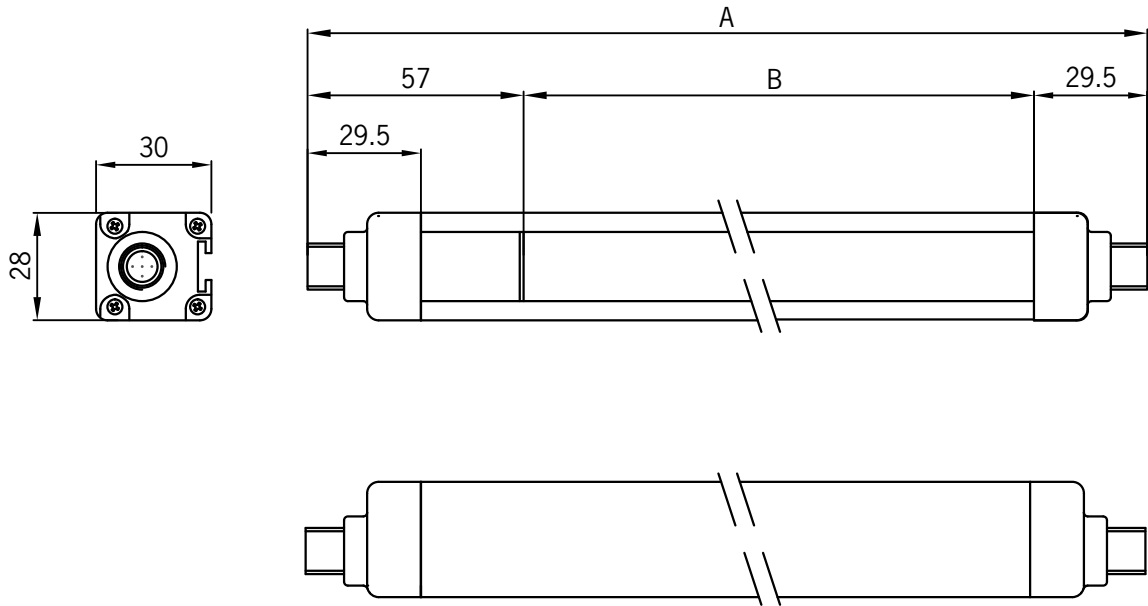


Table 14: Dimensions transmitter and receiver

Height	Model						
	310	460	610	760	910	1060	1210
A (slave 2)	386	536	686	836	986	1136	1286
B*	300	450	600	750	900	1050	1200
Mounting	2 holders AM-OS-B-A1 with 2 inserts					3 holders AM-OS-B-A1 with 3 inserts	

B* = Distance display label to protective cap

Light curtains LCA-4TR-S2-14-... (Slave 2, 14 mm)



Details

- ▶ Degree of protection IP65 and IP67
- ▶ Plug connector M12
- ▶ Profile size 28 x 30 mm

Notice

- ▶ The operation mode is dependent on the results of the risk analysis.
- ▶ **Category according to EN ISO 13849-1** suitable for:
PL e/category 4 according to EN ISO 13849-1
Each safety path is independently safe.
- ▶ ESPE type 4 according to DIN EN 61496-1

Further information

- ▶ Dimension drawings see p. 53
- ▶ Accessories and spare parts see p. 54
- ▶ Cascading: connection cable between master and slaves: max. 50 m

- ▶ **Slave 2 device**
- ▶ **Resolution 14 mm**
- ▶ **Protective function: finger protection**
- ▶ **Range 6 m**
- ▶ **Installation material is included with the product**

Ordering table

Series	Plug connector	Resolution/beams	Max. range	Reaction time [ms]	Protective field height [mm]	Order No./item	
LCA-4TR-S2-14-... 	Transmitter 2 x M12, 5-pin Receiver 2 x M12, 5-pin	14 mm	6 m	Depending on cascading. Formula, see operating instructions.	310	156621 LCA-4TR-S2-14-310-AP	For detailed information, enter the order number for the product in the search box at www.euchner.com .
					460	156622 LCA-4TR-S2-14-460-AP	
					610	156623 LCA-4TR-S2-14-610-AP	
					760	156624 LCA-4TR-S2-14-760-AP	
					910	156625 LCA-4TR-S2-14-910-AP	
					1060	156626 LCA-4TR-S2-14-1060-AP	
					1210	156627 LCA-4TR-S2-14-1210-AP	

Dimension drawing

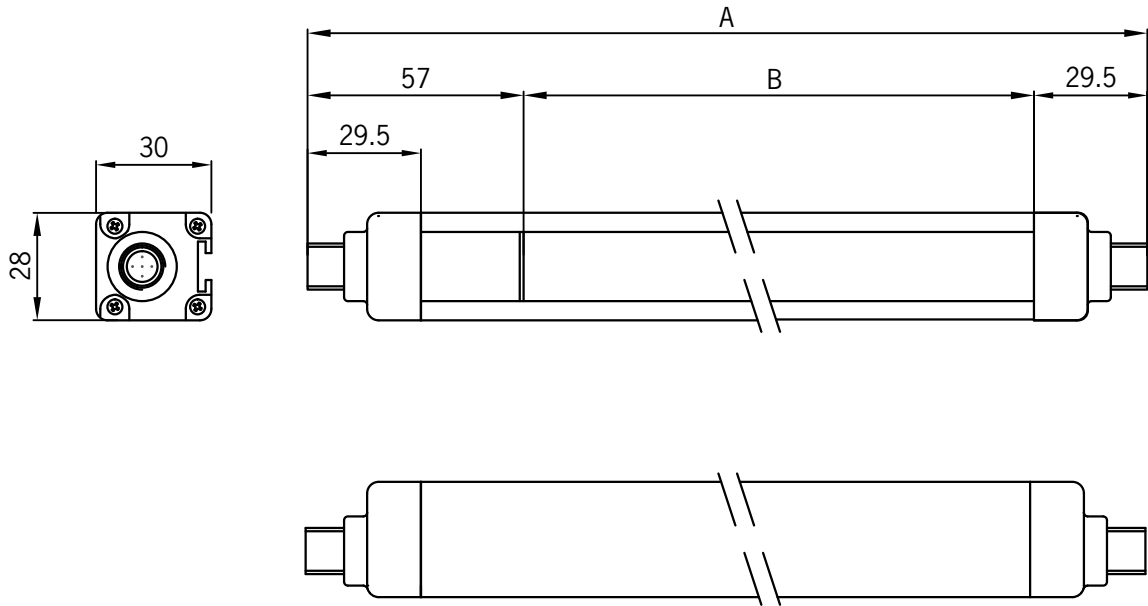


Table 15: Dimensions transmitter and receiver

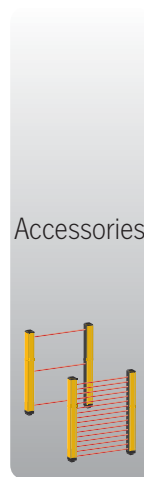
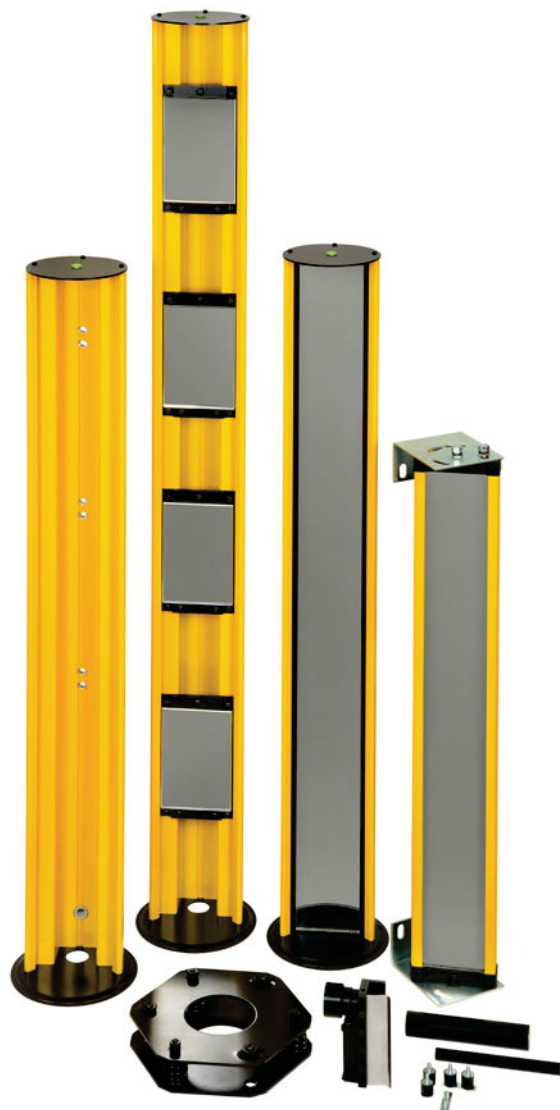
Height	Model						
	310	460	610	760	910	1060	1210
A (slave 2)	386	536	686	836	986	1136	1286
B*	300	450	600	750	900	1050	1200
Mounting	2 holders AM-OS-B-A1 with 2 inserts					3 holders AM-OS-B-A1 with 3 inserts	

B* = Distance display label to protective cap

»Exploit all the advantages
– with well thought-out
original accessories from
EUCHNER.«

- ▶ Connection material – connect safely and easily, no long search for cables and plug connectors.
- ▶ Fixing material – safe and easy installation for many fastening situations.
- ▶ Deflection mirrors and mounting pillars – enlargement of the protective field and protection of the device
- ▶ Laser alignment aid and test rods – straightforward setup and testing of the protective function.

Accessories













Accessories


Connection material

M12	8 pin	5 pin	PVC	PUR
-----	-------	-------	-----	-----


Connection cables with plug connectors

Version		Order No./item	
  	Connection cable with female plug, flying lead, 5 x 0.34 mm ²	5m 100183 C-M12F05-05X034PV05,0-MA-100183	For detailed information, enter the order number for the product in the search box at www.euchner.com .
		10m 100184 C-M12F05-05X034PV10,0-MA-100184	
		20m 100185 C-M12F05-05X034PV20,0-MA-100185	
		50m 156064 C-M12F05-05X034PV50,0-MA-156064	
Extension, plug connectors at both ends for connection to decentralized peripheral equipment	5m 100180 C-M12F05-05X034PV05,0-M12M05-100180		
	10m 100181 C-M12F05-05X034PV10,0-M12M05-100181		
	20m 100182 C-M12F05-05X034PV20,0-M12M05-100182		
  	Connection cable with female plug, flying lead, 5 x 0.34 mm ²	5m 113620 C-M12F05-05X034PU05,0-MA-113620	
		10m 113640 C-M12F05-05X034PU10,0-MA-113640	
		20m 113682 C-M12F05-05X034PU20,0-MA-113682	
		30m 122784 C-M12F05-05X034PU30,0-MA-113682	
Extension, plug connectors at both ends for connection to decentralized peripheral equipment	5m 119932 C-M12F05-05X034PU05,0-M12M05-119932		
	10m 119947 C-M12F05-05X034PU10,0-M12M05-119947		
	20m 119971 C-M12F05-05X034PU20,0-M12M05-119971		
  	Connection cable with female plug, flying lead, 8 x 0.25 mm ²	5m 100177 C-M12F08-08X025PV05,0-MA-100177	
		10m 100178 C-M12F08-08X025PV10,0-MA-100178	
		20m 100179 C-M12F08-08X025PV20,0-MA-100179	
		30m 115116 C-M12F08-08X025PV30,0-MA-115116	

Connection cables with plug connectors


Version		Order No./item	
M12 8 pin PUR	Connection cable with female plug, flying lead, 8 x 0.25 mm²	5m 115112 C-M12F08-08X025PU05,0-MA-115112	For detailed information, enter the order number for the product in the search box at www.euchner.com .
		10m 115113 C-M12F08-08X025PU10,0-MA-115113	
		20m 115114 C-M12F08-08X025PU20,0-MA-115114	
		30m 115257 C-M12F08-08X025PU30,0-MA-115257	

Screened connection cables with plug connector

Version		Order No./item	
M12 8 pin PVC	Connection cable with female plug, screened ¹⁾, 8 x 0.25 mm²	5m 077751 C-M12F08-08X025PV05,0-MW-077751	For detailed information, enter the order number for the product in the search box at www.euchner.com .
		10m 077752 C-M12F08-08X025PV10,0-MW-077752	
		15m 077753 C-M12F08-08X025PV15,0-MW-077753	
		20m 077871 C-M12F08-08X025PV20,0-MW-077871	
		25m 077872 C-M12F08-08X025PV25,0-MW-077872	
		50m 077873 C-M12F08-08X025PV50,0-MW-077873	


1) The screen on the connection cable is connected to the plug housing.

Connection cables for cascading (master/slave 1/slave 2)


Version		Order No./item	
M12 5 pin PVC	Connection cable M12, straight, 5-pin, female-female	0,3m 156926 C-M12F05-05X034PV0,30-M12F05	For detailed information, enter the order number for the product in the search box at www.euchner.com .
		3m 156927 C-M12F05-05X034PV03,0-M12F05	
		5m 156928 C-M12F05-05X034PV05,0-M12F05	
		10m 156929 C-M12F05-05X034PV10,0-M12F05	
		25m 156930 C-M12F05-05X034PV25,0-M12F05	

Mounting accessories

Mounting pillars


Designation	Version/usage	Order No./item	
Socket for mounting pillars	Spring-mounted, height 55 mm	156884 AM-OS-P-AA	For detailed information, enter the order number for the product in the search box at www.euchner.com .
	Height 34 mm	156885 AM-OS-P-AB	
Mounting pillar	For protective field heights from 160 - 610 mm or for 2 beam light grids	156886 AM-OS-C-A1-1000	
	For protective field heights from 760 - 1060 mm or 3 - 4 beam light grids	156887 AM-OS-C-A1-1200	
	For protective field heights from 1210 to 1360 mm	156888 AM-OS-C-A1-1670	
	For protective field heights from 1510 to 1660 mm	156889 AM-OS-C-A1-1970	
Mounting pillar with cable gland PG11	For protective field heights from 160 - 610 mm or for 2 beam light grids	156890 AM-OS-C-A1-M-1000	
	For protective field heights from 760 - 1060 mm or for 3 - 4 beam light grids	156891 AM-OS-C-A1-M-1200	
	For protective field heights from 1210 to 1360 mm	156892 AM-OS-C-A1-M-1670	
	For protective field heights from 1510 to 1660 mm	156893 AM-OS-C-A1-M-1970	
4 x vibration damper	For protective field height 160 mm	156916 AM-OS-D-V04	
8 x vibration damper	For protective field heights from 310 - 1060 mm	156917 AM-OS-D-V08	
12 x vibration damper	Protective field heights 1210 - 1810 mm or 2 - 4 beam light grids	156918 AM-OS-D-V12	
4 x adjustable holder	For protective field heights up to 1210 mm	156919 AM-OS-B-A1-V04	
6 x adjustable holder	For protective field heights from 1210 mm	156920 AM-OS-B-A1-V06	
4 x adjustable holder (180°)	Can be rotated by 180°	156921 AM-OS-B-A2-V04	

Function expansions

Designation	Version/usage	Order No./item		
Mounting pillar with deflection mirror	For protective field heights from 160 - 610 mm or for 2 beam light grids	156894 AE-OS-SC-1000	For detailed information, enter the order number for the product in the search box at www.euchner.com .	
	For protective field heights from 760 - 910 mm or for 3 beam light grids	156895 AE-OS-SC-1200		
	For protective field heights from 760 - 910 mm or for 4 beam light grids	156896 AE-OS-SC-1330		
	For protective field heights from 1060 to 1360 mm	156897 AE-OS-SC-1670		
	For protective field heights from 1510 to 1660 mm	156898 AE-OS-SC-1970		
Mounting pillar with 2 deflection mirrors	For light grid heights with 2 beams	156899 AE-OS-SC-2B		
Mounting pillar with 3 deflection mirrors	For light grid heights with 3 beams	156900 AE-OS-SC-3B		
Mounting pillar with 4 deflection mirrors	For light grid heights with 4 beams	156901 AE-OS-SC-4B		
Deflection mirror	For protective field height 160 mm	156902 AE-OS-S-160		
	For protective field height 230 mm	156903 AE-OS-S-230		
	For protective field height 310 mm	156904 AE-OS-S-310		
	For protective field height 460 mm	156905 AE-OS-S-460		
	For protective field height 610 mm or for 2 beam light grids	156906 AE-OS-S-610		
	For protective field height 760 mm	156907 AE-OS-S-760		
	For protective field height 910 mm or for 3 beam light grids	156908 AE-OS-S-910		
	For protective field height 1060 mm or for 4 beam light grids	156909 AE-OS-S-1060		
	For protective field height 1210 mm	156910 AE-OS-S-1210		
	For protective field height 1360 mm	156911 AE-OS-S-1360		
	For protective field height 1510 mm	156912 AE-OS-S-1510		
	For protective field height 1660 mm	156913 AE-OS-S-1660		
For protective field height 1810 mm	156914 AE-OS-S-1810			

LCA

Miscellaneous accessories

Designation	Version/usage	Order No./item	
Laser alignment aid	For light curtains/light grids LCA	156915 AY-OS-LSR	For detailed information, enter the order number for the product in the search box at www.euchner.com .
Test rod Ø 14 mm	For light curtains with resolution 14 mm	156922 AY-OS-FTR-14	
Test rod Ø 30 mm	For light curtains with resolution 30 mm	156923 AY-OS-FTR-30	
Test rod Ø 40 mm	For light curtains with resolution 40 mm	156924 AY-OS-FTR-40	
Test rod Ø 50 mm	For light curtains with resolution 50 mm	156925 AY-OS-FTR-50	

Index by item designation

Item	Order no.	Page
AE-OS-S-160	156902	59
AE-OS-S-230	156903	59
AE-OS-S-310	156904	59
AE-OS-S-460	156905	59
AE-OS-S-610	156906	59
AE-OS-S-760	156907	59
AE-OS-S-910	156908	59
AE-OS-S-1060	156909	59
AE-OS-S-1210	156910	59
AE-OS-S-1360	156911	59
AE-OS-S-1510	156912	59
AE-OS-S-1660	156913	59
AE-OS-S-1810	156914	59
AE-OS-SC-2B	156899	59
AE-OS-SC-3B	156900	59
AE-OS-SC-4B	156901	59
AE-OS-SC-1000	156894	59
AE-OS-SC-1200	156895	59
AE-OS-SC-1330	156896	59
AE-OS-SC-1670	156897	59
AE-OS-SC-1970	156898	59
AM-OS-B-A1-V04	156919	58
AM-OS-B-A1-V06	156920	58
AM-OS-B-A2-V04	156921	58
AM-OS-C-A1-1000	156886	58
AM-OS-C-A1-1200	156887	58
AM-OS-C-A1-1670	156888	58
AM-OS-C-A1-1970	156889	58
AM-OS-C-A1-M-1000	156890	58
AM-OS-C-A1-M-1200	156891	58
AM-OS-C-A1-M-1670	156892	58
AM-OS-C-A1-M-1970	156893	58
AM-OS-D-V04	156916	58
AM-OS-D-V08	156917	58
AM-OS-D-V12	156918	58
AM-OS-P-AA	156884	58
AM-OS-P-AB	156885	58
AY-OS-FTR-14	156922	60
AY-OS-FTR-30	156923	60
AY-OS-FTR-40	156924	60
AY-OS-FTR-50	156925	60
AY-OS-LSR	156915	60
C-M12F05-05X034PU05,0-M12M05-119932	119932	56
C-M12F05-05X034PU05,0-MA-113620	113620	56
C-M12F05-05X034PU10,0-M12M05-119947	119947	56
C-M12F05-05X034PU10,0-MA-113640	113640	56
C-M12F05-05X034PU20,0-M12M05-119971	119971	56
C-M12F05-05X034PU20,0-MA-113682	113682	56
C-M12F05-05X034PU30,0-MA-113682	122784	56
C-M12F05-05X034PV0,30-M12F05	156926	57
C-M12F05-05X034PV03,0-M12F05	156927	57
C-M12F05-05X034PV05,0-M12F05	156928	57
C-M12F05-05X034PV05,0-M12M05-100180	100180	56
C-M12F05-05X034PV05,0-MA-100183	100183	56
C-M12F05-05X034PV10,0-M12F05	156929	57
C-M12F05-05X034PV10,0-M12M05-100181	100181	56
C-M12F05-05X034PV10,0-MA-100184	100184	56
C-M12F05-05X034PV20,0-M12M05-100182	100182	56
C-M12F05-05X034PV20,0-MA-100185	100185	56
C-M12F05-05X034PV25,0-M12F05	156930	57
C-M12F05-05X034PV50,0-MA-156064	156064	56
C-M12F08-08X025PU05,0-MA-115112	115112	57
C-M12F08-08X025PU10,0-MA-115113	115113	57

Item	Order no.	Page
C-M12F08-08X025PU20,0-MA-115114	115114	57
C-M12F08-08X025PU30,0-MA-115257	115257	57
C-M12F08-08X025PV05,0-MA-100177	100177	56
C-M12F08-08X025PV05,0-MW-077751	077751	57
C-M12F08-08X025PV10,0-MA-100178	100178	56
C-M12F08-08X025PV10,0-MW-077752	077752	57
C-M12F08-08X025PV15,0-MW-077753	077753	57
C-M12F08-08X025PV20,0-MA-100179	100179	56
C-M12F08-08X025PV20,0-MW-077871	077871	57
C-M12F08-08X025PV25,0-MW-077872	077872	57
C-M12F08-08X025PV30,0-MA-115116	115116	56
C-M12F08-08X025PV50,0-MW-077873	077873	57
LCA-2TR-2B-510-AP	156671	14
LCA-2TR-3B-810-AP	156672	14
LCA-2TR-4B-910-AP	156673	14
LCA-2TR-30-160-AP	156635	20
LCA-2TR-30-310-AP	156636	20
LCA-2TR-30-460-AP	156637	20
LCA-2TR-30-610-AP	156638	20
LCA-2TR-30-760-AP	156639	20
LCA-2TR-30-910-AP	156640	20
LCA-2TR-30-1060-AP	156641	20
LCA-2TR-30-1210-AP	156642	20
LCA-2TR-30-1360-AP	156643	20
LCA-2TR-30-1510-AP	156644	20
LCA-2TR-30-1660-AP	156645	20
LCA-2TR-30-1810-AP	156646	20
LCA-2TR-40-160-AP	156647	18
LCA-2TR-40-310-AP	156648	18
LCA-2TR-40-460-AP	156649	18
LCA-2TR-40-610-AP	156650	18
LCA-2TR-40-760-AP	156651	18
LCA-2TR-40-910-AP	156652	18
LCA-2TR-40-1060-AP	156653	18
LCA-2TR-40-1210-AP	156654	18
LCA-2TR-40-1360-AP	156655	18
LCA-2TR-40-1510-AP	156656	18
LCA-2TR-40-1660-AP	156657	18
LCA-2TR-40-1810-AP	156658	18
LCA-2TR-50-160-AP	156659	16
LCA-2TR-50-310-AP	156660	16
LCA-2TR-50-460-AP	156661	16
LCA-2TR-50-610-AP	156662	16
LCA-2TR-50-760-AP	156663	16
LCA-2TR-50-910-AP	156664	16
LCA-2TR-50-1060-AP	156665	16
LCA-2TR-50-1210-AP	156666	16
LCA-2TR-50-1360-AP	156667	16
LCA-2TR-50-1510-AP	156668	16
LCA-2TR-50-1660-AP	156669	16
LCA-2TR-50-1810-AP	156670	16
LCA-4TR-2B-510-AP	156584	24
	156587	24
LCA-4TR-3B-810-AP	156585	24
	156588	24
LCA-4TR-4B-910-AP	156586	24
	156589	24
LCA-4TR-14-160-AP	156500	38
LCA-4TR-14-310-AP	156501	38
LCA-4TR-14-460-AP	156502	38
LCA-4TR-14-610-AP	156503	38
LCA-4TR-14-760-AP	156504	38
LCA-4TR-14-910-AP	156505	38

Item	Order no.	Page	Item	Order no.	Page
LCA-4TR-14-1060-AP	156506	38	LCA-4TR-50-760-AP	156564	26
LCA-4TR-14-1210-AP	156507	38		156576	27
LCA-4TR-14-1360-AP	156508	38	LCA-4TR-50-910-AP	156565	26
LCA-4TR-14-1510-AP	156509	38		156577	27
LCA-4TR-14-1660-AP	156510	38	LCA-4TR-50-1060-AP	156566	26
LCA-4TR-14-1810-AP	156511	38		156578	27
LCA-4TR-30-160-AP	156512	34	LCA-4TR-50-1210-AP	156567	26
	156524	35		156579	27
LCA-4TR-30-310-AP	156513	34	LCA-4TR-50-1360-AP	156568	26
	156525	35		156580	27
LCA-4TR-30-460-AP	156514	34	LCA-4TR-50-1510-AP	156569	26
	156526	35		156581	27
LCA-4TR-30-610-AP	156515	34	LCA-4TR-50-1660-AP	156570	26
	156527	35		156582	27
LCA-4TR-30-760-AP	156516	34	LCA-4TR-50-1810-AP	156571	26
	156528	35		156583	27
LCA-4TR-30-910-AP	156517	34	LCA-4TR-M-14-310-AP	156590	44
	156529	35	LCA-4TR-M-14-460-AP	156591	44
LCA-4TR-30-1060-AP	156518	34	LCA-4TR-M-14-610-AP	156592	44
	156530	35	LCA-4TR-M-14-760-AP	156593	44
LCA-4TR-30-1210-AP	156519	34	LCA-4TR-M-14-910-AP	156594	44
	156531	35	LCA-4TR-M-14-1060-AP	156595	44
LCA-4TR-30-1360-AP	156520	34	LCA-4TR-M-14-1210-AP	156596	44
	156532	35	LCA-4TR-M-30-260-AP	156597	42
LCA-4TR-30-1510-AP	156521	34	LCA-4TR-M-30-310-AP	156598	42
	156533	35	LCA-4TR-M-30-460-AP	156599	42
LCA-4TR-30-1660-AP	156522	34	LCA-4TR-M-30-610-AP	156600	42
	156534	35	LCA-4TR-M-30-760-AP	156601	42
LCA-4TR-30-1810-AP	156523	34	LCA-4TR-M-30-910-AP	156602	42
	156535	35	LCA-4TR-M-30-1060-AP	156603	42
LCA-4TR-40-160-AP	156536	30	LCA-4TR-M-30-1210-AP	156604	42
	156548	31	LCA-4TR-S1-14-160-AP	156605	48
LCA-4TR-40-310-AP	156537	30	LCA-4TR-S1-14-310-AP	156606	48
	156549	31	LCA-4TR-S1-14-460-AP	156607	48
LCA-4TR-40-460-AP	156538	30	LCA-4TR-S1-14-610-AP	156608	48
	156550	31	LCA-4TR-S1-14-760-AP	156609	48
LCA-4TR-40-610-AP	156539	30	LCA-4TR-S1-14-910-AP	156610	48
	156551	31	LCA-4TR-S1-14-1060-AP	156611	48
LCA-4TR-40-760-AP	156540	30	LCA-4TR-S1-14-1210-AP	156612	48
	156552	31	LCA-4TR-S1-30-160-AP	156613	46
LCA-4TR-40-910-AP	156541	30	LCA-4TR-S1-30-310-AP	156614	46
	156553	31	LCA-4TR-S1-30-460-AP	156615	46
LCA-4TR-40-1060-AP	156542	30	LCA-4TR-S1-30-610-AP	156616	46
	156554	31	LCA-4TR-S1-30-760-AP	156617	46
LCA-4TR-40-1210-AP	156543	30	LCA-4TR-S1-30-910-AP	156618	46
	156555	31	LCA-4TR-S1-30-1060-AP	156619	46
LCA-4TR-40-1360-AP	156544	30	LCA-4TR-S1-30-1210-AP	156620	46
	156556	31	LCA-4TR-S2-14-310-AP	156621	52
LCA-4TR-40-1510-AP	156545	30	LCA-4TR-S2-14-460-AP	156622	52
	156557	31	LCA-4TR-S2-14-610-AP	156623	52
LCA-4TR-40-1660-AP	156546	30	LCA-4TR-S2-14-760-AP	156624	52
	156558	31	LCA-4TR-S2-14-910-AP	156625	52
LCA-4TR-40-1810-AP	156547	30	LCA-4TR-S2-14-1060-AP	156626	52
	156559	31	LCA-4TR-S2-14-1210-AP	156627	52
LCA-4TR-50-160-AP	156560	26	LCA-4TR-S2-30-310-AP	156628	50
	156572	27	LCA-4TR-S2-30-460-AP	156629	50
LCA-4TR-50-310-AP	156561	26	LCA-4TR-S2-30-610-AP	156630	50
	156573	27	LCA-4TR-S2-30-760-AP	156631	50
LCA-4TR-50-460-AP	156562	26	LCA-4TR-S2-30-910-AP	156632	50
	156574	27	LCA-4TR-S2-30-1060-AP	156633	50
LCA-4TR-50-610-AP	156562	26	LCA-4TR-S2-30-1210-AP	156634	50
	156575	27			

Index by order number

Order no.	Item	Page
077751	C-M12F08-08X025PV05,0-MW-077751	57
077752	C-M12F08-08X025PV10,0-MW-077752	57
077753	C-M12F08-08X025PV15,0-MW-077753	57
077871	C-M12F08-08X025PV20,0-MW-077871	57
077872	C-M12F08-08X025PV25,0-MW-077872	57
077873	C-M12F08-08X025PV50,0-MW-077873	57
100177	C-M12F08-08X025PV05,0-MA-100177	56
100178	C-M12F08-08X025PV10,0-MA-100178	56
100179	C-M12F08-08X025PV20,0-MA-100179	56
100180	C-M12F05-05X034PV05,0-M12M05-100180	56
100181	C-M12F05-05X034PV10,0-M12M05-100181	56
100182	C-M12F05-05X034PV20,0-M12M05-100182	56
100183	C-M12F05-05X034PV05,0-MA-100183	56
100184	C-M12F05-05X034PV10,0-MA-100184	56
100185	C-M12F05-05X034PV20,0-MA-100185	56
113620	C-M12F05-05X034PU05,0-MA-113620	56
113640	C-M12F05-05X034PU10,0-MA-113640	56
113682	C-M12F05-05X034PU20,0-MA-113682	56
115112	C-M12F08-08X025PU05,0-MA-115112	57
115113	C-M12F08-08X025PU10,0-MA-115113	57
115114	C-M12F08-08X025PU20,0-MA-115114	57
115116	C-M12F08-08X025PV30,0-MA-115116	56
115257	C-M12F08-08X025PU30,0-MA-115257	57
119932	C-M12F05-05X034PU05,0-M12M05-119932	56
119947	C-M12F05-05X034PU10,0-M12M05-119947	56
119971	C-M12F05-05X034PU20,0-M12M05-119971	56
122784	C-M12F05-05X034PU30,0-MA-113682	56
156064	C-M12F05-05X034PV50,0-MA-156064	56
156500	LCA-4TR-14-160-AP	38
156501	LCA-4TR-14-310-AP	38
156502	LCA-4TR-14-460-AP	38
156503	LCA-4TR-14-610-AP	38
156504	LCA-4TR-14-760-AP	38
156505	LCA-4TR-14-910-AP	38
156506	LCA-4TR-14-1060-AP	38
156507	LCA-4TR-14-1210-AP	38
156508	LCA-4TR-14-1360-AP	38
156509	LCA-4TR-14-1510-AP	38
156510	LCA-4TR-14-1660-AP	38
156511	LCA-4TR-14-1810-AP	38
156512	LCA-4TR-30-160-AP	34
156513	LCA-4TR-30-310-AP	34
156514	LCA-4TR-30-460-AP	34
156515	LCA-4TR-30-610-AP	34
156516	LCA-4TR-30-760-AP	34
156517	LCA-4TR-30-910-AP	34
156518	LCA-4TR-30-1060-AP	34
156519	LCA-4TR-30-1210-AP	34
156520	LCA-4TR-30-1360-AP	34
156521	LCA-4TR-30-1510-AP	34
156522	LCA-4TR-30-1660-AP	34
156523	LCA-4TR-30-1810-AP	34
156524	LCA-4TR-30-160-AP	35
156525	LCA-4TR-30-310-AP	35
156526	LCA-4TR-30-460-AP	35
156527	LCA-4TR-30-610-AP	35
156528	LCA-4TR-30-760-AP	35
156529	LCA-4TR-30-910-AP	35
156530	LCA-4TR-30-1060-AP	35
156531	LCA-4TR-30-1210-AP	35
156532	LCA-4TR-30-1360-AP	35
156533	LCA-4TR-30-1510-AP	35
156534	LCA-4TR-30-1660-AP	35

Order no.	Item	Page
156535	LCA-4TR-30-1810-AP	35
156536	LCA-4TR-40-160-AP	30
156537	LCA-4TR-40-310-AP	30
156538	LCA-4TR-40-460-AP	30
156539	LCA-4TR-40-610-AP	30
156540	LCA-4TR-40-760-AP	30
156541	LCA-4TR-40-910-AP	30
156542	LCA-4TR-40-1060-AP	30
156543	LCA-4TR-40-1210-AP	30
156544	LCA-4TR-40-1360-AP	30
156545	LCA-4TR-40-1510-AP	30
156546	LCA-4TR-40-1660-AP	30
156547	LCA-4TR-40-1810-AP	30
156548	LCA-4TR-40-160-AP	31
156549	LCA-4TR-40-310-AP	31
156550	LCA-4TR-40-460-AP	31
156551	LCA-4TR-40-610-AP	31
156552	LCA-4TR-40-760-AP	31
156553	LCA-4TR-40-910-AP	31
156554	LCA-4TR-40-1060-AP	31
156555	LCA-4TR-40-1210-AP	31
156556	LCA-4TR-40-1360-AP	31
156557	LCA-4TR-40-1510-AP	31
156558	LCA-4TR-40-1660-AP	31
156559	LCA-4TR-40-1810-AP	31
156560	LCA-4TR-50-160-AP	26
156561	LCA-4TR-50-310-AP	26
156562	LCA-4TR-50-460-AP	26
156562	LCA-4TR-50-610-AP	26
156564	LCA-4TR-50-760-AP	26
156565	LCA-4TR-50-910-AP	26
156566	LCA-4TR-50-1060-AP	26
156567	LCA-4TR-50-1210-AP	26
156568	LCA-4TR-50-1360-AP	26
156569	LCA-4TR-50-1510-AP	26
156570	LCA-4TR-50-1660-AP	26
156571	LCA-4TR-50-1810-AP	26
156572	LCA-4TR-50-160-AP	27
156573	LCA-4TR-50-310-AP	27
156574	LCA-4TR-50-460-AP	27
156575	LCA-4TR-50-610-AP	27
156576	LCA-4TR-50-760-AP	27
156577	LCA-4TR-50-910-AP	27
156578	LCA-4TR-50-1060-AP	27
156579	LCA-4TR-50-1210-AP	27
156580	LCA-4TR-50-1360-AP	27
156581	LCA-4TR-50-1510-AP	27
156582	LCA-4TR-50-1660-AP	27
156583	LCA-4TR-50-1810-AP	27
156584	LCA-4TR-2B-510-AP	24
156585	LCA-4TR-3B-810-AP	24
156586	LCA-4TR-4B-910-AP	24
156587	LCA-4TR-2B-510-AP	24
156588	LCA-4TR-3B-810-AP	24
156589	LCA-4TR-4B-910-AP	24
156590	LCA-4TR-M-14-310-AP	44
156591	LCA-4TR-M-14-460-AP	44
156592	LCA-4TR-M-14-610-AP	44
156593	LCA-4TR-M-14-760-AP	44
156594	LCA-4TR-M-14-910-AP	44
156595	LCA-4TR-M-14-1060-AP	44
156596	LCA-4TR-M-14-1210-AP	44
156597	LCA-4TR-M-30-260-AP	42

Order no.	Item	Page	Order no.	Item	Page
156598	LCA-4TR-M-30-310-AP	42	156661	LCA-2TR-50-460-AP	16
156599	LCA-4TR-M-30-460-AP	42	156662	LCA-2TR-50-610-AP	16
156600	LCA-4TR-M-30-610-AP	42	156663	LCA-2TR-50-760-AP	16
156601	LCA-4TR-M-30-760-AP	42	156664	LCA-2TR-50-910-AP	16
156602	LCA-4TR-M-30-910-AP	42	156665	LCA-2TR-50-1060-AP	16
156603	LCA-4TR-M-30-1060-AP	42	156666	LCA-2TR-50-1210-AP	16
156604	LCA-4TR-M-30-1210-AP	42	156667	LCA-2TR-50-1360-AP	16
156605	LCA-4TR-S1-14-160-AP	48	156668	LCA-2TR-50-1510-AP	16
156606	LCA-4TR-S1-14-310-AP	48	156669	LCA-2TR-50-1660-AP	16
156607	LCA-4TR-S1-14-460-AP	48	156670	LCA-2TR-50-1810-AP	16
156608	LCA-4TR-S1-14-610-AP	48	156671	LCA-2TR-2B-510-AP	14
156609	LCA-4TR-S1-14-760-AP	48	156672	LCA-2TR-3B-810-AP	14
156610	LCA-4TR-S1-14-910-AP	48	156673	LCA-2TR-4B-910-AP	14
156611	LCA-4TR-S1-14-1060-AP	48	156884	AM-OS-P-AA	58
156612	LCA-4TR-S1-14-1210-AP	48	156885	AM-OS-P-AB	58
156613	LCA-4TR-S1-30-160-AP	46	156886	AM-OS-C-A1-1000	58
156614	LCA-4TR-S1-30-310-AP	46	156887	AM-OS-C-A1-1200	58
156615	LCA-4TR-S1-30-460-AP	46	156888	AM-OS-C-A1-1670	58
156616	LCA-4TR-S1-30-610-AP	46	156889	AM-OS-C-A1-1970	58
156617	LCA-4TR-S1-30-760-AP	46	156890	AM-OS-C-A1-M-1000	58
156618	LCA-4TR-S1-30-910-AP	46	156891	AM-OS-C-A1-M-1200	58
156619	LCA-4TR-S1-30-1060-AP	46	156892	AM-OS-C-A1-M-1670	58
156620	LCA-4TR-S1-30-1210-AP	46	156893	AM-OS-C-A1-M-1970	58
156621	LCA-4TR-S2-14-310-AP	52	156894	AE-OS-SC-1000	59
156622	LCA-4TR-S2-14-460-AP	52	156895	AE-OS-SC-1200	59
156623	LCA-4TR-S2-14-610-AP	52	156896	AE-OS-SC-1330	59
156624	LCA-4TR-S2-14-760-AP	52	156897	AE-OS-SC-1670	59
156625	LCA-4TR-S2-14-910-AP	52	156898	AE-OS-SC-1970	59
156626	LCA-4TR-S2-14-1060-AP	52	156899	AE-OS-SC-2B	59
156627	LCA-4TR-S2-14-1210-AP	52	156900	AE-OS-SC-3B	59
156628	LCA-4TR-S2-30-310-AP	50	156901	AE-OS-SC-4B	59
156629	LCA-4TR-S2-30-460-AP	50	156902	AE-OS-S-160	59
156630	LCA-4TR-S2-30-610-AP	50	156903	AE-OS-S-230	59
156631	LCA-4TR-S2-30-760-AP	50	156904	AE-OS-S-310	59
156632	LCA-4TR-S2-30-910-AP	50	156905	AE-OS-S-460	59
156633	LCA-4TR-S2-30-1060-AP	50	156906	AE-OS-S-610	59
156634	LCA-4TR-S2-30-1210-AP	50	156907	AE-OS-S-760	59
156635	LCA-2TR-30-160-AP	20	156908	AE-OS-S-910	59
156636	LCA-2TR-30-310-AP	20	156909	AE-OS-S-1060	59
156637	LCA-2TR-30-460-AP	20	156910	AE-OS-S-1210	59
156638	LCA-2TR-30-610-AP	20	156911	AE-OS-S-1360	59
156639	LCA-2TR-30-760-AP	20	156912	AE-OS-S-1510	59
156640	LCA-2TR-30-910-AP	20	156913	AE-OS-S-1660	59
156641	LCA-2TR-30-1060-AP	20	156914	AE-OS-S-1810	59
156642	LCA-2TR-30-1210-AP	20	156915	AY-OS-LSR	60
156643	LCA-2TR-30-1360-AP	20	156916	AM-OS-D-V04	58
156644	LCA-2TR-30-1510-AP	20	156917	AM-OS-D-V08	58
156645	LCA-2TR-30-1660-AP	20	156918	AM-OS-D-V12	58
156646	LCA-2TR-30-1810-AP	20	156919	AM-OS-B-A1-V04	58
156647	LCA-2TR-40-160-AP	18	156920	AM-OS-B-A1-V06	58
156648	LCA-2TR-40-310-AP	18	156921	AM-OS-B-A2-V04	58
156649	LCA-2TR-40-460-AP	18	156922	AY-OS-FTR-14	60
156650	LCA-2TR-40-610-AP	18	156923	AY-OS-FTR-30	60
156651	LCA-2TR-40-760-AP	18	156924	AY-OS-FTR-40	60
156652	LCA-2TR-40-910-AP	18	156925	AY-OS-FTR-50	60
156653	LCA-2TR-40-1060-AP	18	156926	C-M12F05-05X034PV0,30-M12F05	57
156654	LCA-2TR-40-1210-AP	18	156927	C-M12F05-05X034PV03,0-M12F05	57
156655	LCA-2TR-40-1360-AP	18	156928	C-M12F05-05X034PV05,0-M12F05	57
156656	LCA-2TR-40-1510-AP	18	156929	C-M12F05-05X034PV10,0-M12F05	57
156657	LCA-2TR-40-1660-AP	18	156930	C-M12F05-05X034PV25,0-M12F05	57
156658	LCA-2TR-40-1810-AP	18			
156659	LCA-2TR-50-160-AP	16			
156660	LCA-2TR-50-310-AP	16			

Representatives

International

Austria

EUCHNER GmbH
Aumühlweg 17-19/Halle 1C
2544 Leobersdorf
Tel. +43 720 010 200
Fax +43 720 010 200-20
info@euchner.at

Benelux

EUCHNER (BENELUX) BV
Visschersbuurt 23
3356 AE Papendrecht
Tel. +31 78 615-4766
Fax +31 78 615-4311
info@euchner.nl

Brazil

EUCHNER Com.Comp.
Eletronicos Ltda.
Av. Prof. Luiz Ignácio Anhaia Mello,
no. 4387
Vila Graciosa
São Paulo - SP - Brasil
CEP 03295-000
Tel. +55 11 29182200
Fax +55 11 23010613
euchner@euchner.com.br

Canada

EUCHNER Canada Inc.
2105 Fasan Drive
Oldcastle, ON NOR 1L0
Tel. +1 519 800-8397
Fax +1 519 737-0314
sales@euchner.ca

China

EUCHNER (Shanghai)
Trading Co., Ltd.
No. 15 building,
No. 68 Zhongchuang Road,
Songjiang
Shanghai, 201613, P.R.C
Tel. +86 21 5774-7090
Fax +86 21 5774-7599
info@euchner.com.cn

Czech Republic

EUCHNER electric s.r.o.
Trnkova 3069/117h
628 00 Brno
Tel. +420 533 443-150
Fax +420 533 443-153
info@euchner.cz

Denmark

Duelco A/S
Systemvej 8 - 10
9200 Aalborg SV
Tel. +45 7010 1007
Fax +45 7010 1008
info@duelco.dk

Finland

Sähkölehto Oy
Holkkitie 14
00880 Helsinki
Tel. +358 9 7746420
office@sahkolehto.fi

France

EUCHNER France S.A.R.L.
Parc d'Affaires des Bellevues
Allée Rosa Luxembourg
Bâtiment le Colorado
95610 ERAGNY sur OISE
Tel. +33 1 3909-9090
Fax +33 1 3909-9099
info@euchner.fr

Hungary

EUCHNER Magyarország Kft.
FSD Park 2,
2045 Törökbálint
Tel. +36 1 919 0855
Fax +36 1 919 0857
info@euchner.hu

India

EUCHNER (India) Pvt. Ltd.
401, Bremen Business Center,
City Survey No. 2562,
University Road
Aundh, Pune - 411007
Tel. +91 20 64016384
Fax +91 20 25885148
info@euchner.in

Israel

Ilan & Gavish Automation Service Ltd.
26 Shenkar St. Qiryat Arie 49513
P.O. Box 10118
Petach Tikva 49001
Tel. +972 3 9221824
Fax +972 3 9240761
mail@ilan-gavish.com

Italy

TRITECNICA SpA
Viale Lazio 26
20135 Milano
Tel. +39 02 541941
Fax +39 02 55010474
info@tritecnica.it

Japan

EUCHNER Co., Ltd.
1662-3 Komakiharashinden
Komaki-shi, Aichi-ken
485-0012, Japan
Tel. +81 568 42 0157
Fax +81 568 42 0159
info@euchner.jp

Korea

EUCHNER Korea Co., Ltd.
115 Gasan Digital 2 - Ro
(Gasan-dong, Daeryung
Technotown 3rd Rm 810)
153 - 803 Kumchon-Gu, Seoul
Tel. +82 2 2107-3500
Fax +82 2 2107-3999
info@euchner.co.kr

Mexico

EUCHNER México S de RL de CV
95610 ERAGNY sur OISE
Conjunto Industrial PK Co.
Carretera Estatal 431 km. 1+300
Ejido El Colorado, El Marqués
76246 Querétaro, México
Tel. +52 442 402 1485
Fax +52 442 402 1486
info@euchner.mx

Poland

EUCHNER Sp. z o.o.
Kraśnińskiego 29
40-019 Katowice
Tel. +48 32 252 20 09
Fax +48 32 252 20 13
info@euchner.pl

Portugal

PAM Servicos Tecnicos Industriais Lda.
Rua de Timor - Pavilhao 2A
Zona Industrial da Abelheira
4785-123 Trofa
Tel. +351 252 418431
Fax +351 252 494739
pam@mail.telepac.pt

Republic of South Africa

RUBICON
ELECTRICAL DISTRIBUTORS
4 Reith Street, Sidwell
6061 Port Elizabeth
Tel. +27 41 451-4359
Fax +27 41 451-1296
sales@rubiconelectrical.com

Romania

First Electric SRL
Str. Ritmului Nr. 1 Bis
Ap. 2, Sector 2
021675 Bucuresti
Tel. +40 21 2526218
Fax +40 21 3113193
office@firstelectric.ro

Singapore

BM Safety Singapore Pte Ltd.
Blk 3, Ang Mo Kio Industrial Park 2A
#05-06
Singapore 568050
Tel. +65 6744 8018
Fax +65 6744 1929
sales@bmsafety.com.sg

Slovakia

EUCHNER electric s.r.o.
Trnkova 3069/117h
628 00 Brno
Tel. +420 533 443-150
Fax +420 533 443-153
info@euchner.cz

Slovenia

SMM proizvodni sistemi d.o.o.
Jaskova 18
2000 Maribor
Tel. +386 2 4502326
Fax +386 2 4625160
franc.kit@smm.si

Spain

EUCHNER, S.L.
Gurutzezi 12 - Local 1
Poligono Belartza
20018 San Sebastian
Tel. +34 943 316-760
Fax +34 943 316-405
info@euchner.es

Sweden

Censit AB
Box 331
33123 Värnamo
Tel. +46 370 691010
Fax +46 370 18888
info@censit.se

Switzerland

EUCHNER AG
Falknisstrasse 9a
7320 Sargans
Tel. +41 81 720-4590
Fax +41 81 720-4599
info@euchner.ch

Taiwan

Daybreak Int'l (Taiwan) Corp.
3F, No. 124, Chung-Cheng Road
Shihlin 11145, Taipei
Tel. +886 2 8866-1234
Fax +886 2 8866-1239
day111@ms23.hinet.net

Turkey

EUCHNER Endüstriyel Emniyet
Teknolojileri Ltd. Şti.
Hattat Bahattin Sok.
Ceylan Apt. No. 13/A
Göztepe Mah.
34730 Kadıköy / Istanbul
Tel. +90 216 359-5656
Fax +90 216 359-5660
info@euchner.com.tr

United Kingdom

EUCHNER (UK) Ltd.
Unit 2 Petre Drive,
Sheffield
South Yorkshire
S4 7PZ
Tel. +44 114 2560123
Fax +44 114 2425333
sales@euchner.co.uk

USA

EUCHNER USA Inc.
6723 Lyons Street
East Syracuse, NY 13057
Tel. +1 315 701-0315
Fax +1 315 701-0319
info@euchner-usa.com

EUCHNER USA Inc.
Detroit Office
130 Hampton Circle
Rochester Hills, MI 48307
Tel. +1 248 537-1092
Fax +1 248 537-1095
info@euchner-usa.com

Germany

Augsburg

EUCHNER GmbH + Co. KG
Ingenieur- und Vertriebsbüro
Julius-Spokojny-Weg 8
86153 Augsburg
Tel. +49 821 56786540
Fax +49 821 56786541
peter.klopper@euchner.de

Berlin

EUCHNER GmbH + Co. KG
Ingenieur- und Vertriebsbüro
Ulmenstraße 115a
12621 Berlin
Tel. +49 30 50508214
Fax +49 30 56582139
alexander.walz@euchner.de

Chemnitz

EUCHNER GmbH + Co. KG
Ingenieur- und Vertriebsbüro
Am Vogelherd 2
09627 Bobritzsch-Hilbersdorf
Tel. +49 37325 906000
Fax +49 37325 906004
jens.zehrtner@euchner.de

Düsseldorf

EUCHNER GmbH + Co. KG
Ingenieur- und Vertriebsbüro
Tippgarten 3
59427 Unna
Tel. +49 2308 9337284
Fax +49 2308 9337285
christian.schimke@euchner.de

Essen

Thomas Kreißl
fördern - steuern - regeln
Hackenbergweg 8a
45133 Essen
Tel. +49 201 84266-0
Fax +49 201 84266-66
info@kreissl-essen.de

Freiburg

EUCHNER GmbH + Co. KG
Ingenieur- und Vertriebsbüro
Steige 5
79206 Breisach
Tel. +49 7664 403833
Fax +49 7664 403834
peter.seifert@euchner.de

Lübeck

EUCHNER GmbH + Co. KG
Ingenieur- und Vertriebsbüro
Am Stadtrand 13
23556 Lübeck
Tel. +49 451 88048371
Fax +49 451 88184364
martin.pape@euchner.de

Nürnberg

EUCHNER GmbH + Co. KG
Ingenieur- und Vertriebsbüro
Steiner Straße 22a
90522 Oberasbach
Tel. +49 911 6693829
Fax +49 911 6696722
ralf.paulus@euchner.de

Stuttgart

EUCHNER GmbH + Co. KG
Ingenieur- und Vertriebsbüro
Kohlhammerstraße 16
70771 Leinfelden-Echterdingen
Tel. +49 711 7597-0
Fax +49 711 7597-303
oliver.laier@euchner.de
uwe.kupka@euchner.de

Wiesbaden

EUCHNER GmbH + Co. KG
Ingenieur- und Vertriebsbüro
Adolfsallee 3
65185 Wiesbaden
Tel. +49 611 98817644
Fax +49 611 98895071
giancarlo.pasquesi@euchner.de



EUCHNER

More than safety.



Support hotline

You have technical questions about our products or how they can be used?
For further questions please contact your local sales representative.



Comprehensive download area

You are looking for more information about our products?
You can simply and quickly download operating instructions, CAD or ePLAN data and accompanying software for our products at www.euchner.com.



Customer-specific solutions

You need a specific solution or have a special requirement?
Please contact us. We can manufacture your custom product even in small quantities.



EUCHNER near you

You are looking for a contact at your location? Along with the headquarters in Leinfelden-Echterdingen, the worldwide sales network includes 18 subsidiaries and numerous representatives in Germany and abroad – you will definitely also find us near you.

www.euchner.com

EUCHNER GmbH + Co. KG

Kohlhammerstraße 16
70771 Leinfelden-Echterdingen
Germany
Tel. +49 711 7597-0
Fax +49 711 753316
info@euchner.de
www.euchner.com

EUCHNER

More than safety.