

Absolute encoders - singleturn

Standard optical

Sendix 5858 / 5878 (shaft / hollow shaft)

PROFINET IO



The singleturn encoders 5858 and 5878 with PROFINET interface and optical sensor technology are ideal for use in all applications with a PROFINET interface.

The encoder supports the IRT mode and is therefore ideal for real-time applications.



Reliable

- Ideally suited for all PROFINET applications thanks to the use of encoder profile 4.1.
- Perfect for use in harsh outdoor environments, as a result of IP67 protection and rugged housing construction.

Flexible

- Easy setting of a preset value using a control bit (telegram 860).
- IRT-Mode.
- Cycle time ≥ 1 ms.
- Firmware updater allows for easy expansion of characteristics without having to disassemble the encoder.

Order code Shaft version

8.5858 . **XXC2** . **C2 12**
Type a b c d e

If for each parameter of an encoder the **underlined preferred option** is selected, then the delivery time will be 10 working days for a maximum of 10 pieces. Qts. up to 50 pcs. of these types generally have a delivery time of 15 working days.



a Flange

- 1 = clamping flange, IP65 \varnothing 58 mm [2.28"]**
- 3 = clamping flange, IP67 \varnothing 58 mm [2.28"]
- 2 = synchro flange, IP65 \varnothing 58 mm [2.28"]**
- 4 = synchro flange, IP67 \varnothing 58 mm [2.28"]
- 5 = square flange, IP65 \square 63.5 mm [2.5"]
- 7 = square flange, IP67 \square 63.5 mm [2.5"]

b Shaft ($\varnothing \times L$), with flat

- 1 = 6 x 10 mm [0.24 x 0.39"]¹⁾**
- 2 = 10 x 20 mm [0.39 x 0.79"]²⁾**
- 3 = 1/4" x 7/8"
- 4 = 3/8" x 7/8"

c Interface / power supply

- C = PROFINET IO / 10 ... 30 V DC**

e Field bus profile

- C2 = PROFINET IO**

d Type of connection

- removable bus terminal cover
- 2 = 3 x M12 connector, 4-pin**

Optional on request

- Ex 2/22
- surface protection salt spray tested

Order code Hollow shaft

8.5878 . **XXC2** . **C2 12**
Type a b c d e

If for each parameter of an encoder the **underlined preferred option** is selected, then the delivery time will be 10 working days for a maximum of 10 pieces. Qts. up to 50 pcs. of these types generally have a delivery time of 15 working days.



a Flange

- 1 = with spring element, long, IP65
- 2 = with spring element, long, IP67
- 3 = with stator coupling, IP65 \varnothing 65 mm [2.56"]
- 4 = with stator coupling, IP67 \varnothing 65 mm [2.56"]
- 5 = with stator coupling, IP65 \varnothing 63 mm [2.48"]**
- 6 = with stator coupling, IP67 \varnothing 63 mm [2.48"]

b Blind hollow shaft

- (insertion depth max. 30 mm [1.18"])
- 3 = \varnothing 10 mm [0.39"]
- 4 = \varnothing 12 mm [0.47"]**
- 5 = \varnothing 14 mm [0.55"]
- 6 = \varnothing 15 mm [0.59"]
- 8 = \varnothing 3/8"
- 9 = \varnothing 1/2"

c Interface / power supply

- C = PROFINET IO / 10 ... 30 V DC**

e Field bus profile

- C2 = PROFINET IO**

d Type of connection

- removable bus terminal cover
- 2 = 3 x M12 connector, 4-pin**

Optional on request

- Ex 2/22
- surface protection salt spray tested

1) Preferred type only in conjunction with flange type 2.
2) Preferred type only in conjunction with flange type 1.

Absolute encoders - singleturn

Standard optical	Sendix 5858 / 5878 (shaft / hollow shaft)	PROFINET IO
-------------------------	--	--------------------

Mounting accessory for shaft encoders		Order no.
Coupling	bellows coupling \varnothing 19 mm [0.75"] for shaft 6 mm [0.24"]	8.0000.1102.0606
	bellows coupling \varnothing 19 mm [0.75"] for shaft 10 mm [0.39"]	8.0000.1102.1010

Mounting accessory for hollow shaft encoders		Dimensions in mm [inch]	Order no.
Cylindrical pin, long	with fixing thread		8.0010.4700.0000
for flange with spring element (flange type 1 + 2)			

Connection technology		Order no.
Cordset, pre-assembled	M12 male connector with external thread for port 1 and port 2, 4-pin 2 m [6.56'] PUR cable	05.00.6031.4411.002M
	M12 female connector with coupling nut for power supply, 4-pin 2 m [6.56'] PUR cable	05.00.6061.6211.002M
Connector, self-assembly (straight)	M12 male connector with external thread for port 1 and port 2, 4-pin	05.WASCSY4S
	M12 female connector with coupling nut for power supply, 4-pin	05.B8141-0

Further accessories can be found in the accessories section or in the accessories area of our website at: www.kuebler.com/accessories.
Additional connectors can be found in the connection technology section or in the connection technology area of our website at: www.kuebler.com/connection_technology.

Technical data

Mechanical characteristics		
Maximum speed	IP65 up to 70°C [158°F]	9000 min ⁻¹ , 7000 min ⁻¹ (continuous)
	IP65 up to T _{max}	7000 min ⁻¹ , 4000 min ⁻¹ (continuous)
	IP67 up to 70°C [158°F]	8000 min ⁻¹ , 6000 min ⁻¹ (continuous)
	IP67 up to T _{max}	6000 min ⁻¹ , 3000 min ⁻¹ (continuous)
Starting torque - at 20°C [68°F]	IP65	< 0.01 Nm
	IP67	< 0.05 Nm
Mass moment of inertia	shaft version	3.0 x 10 ⁻⁶ kgm ²
	hollow shaft version	6.0 x 10 ⁻⁶ kgm ²
Load capacity of shaft	radial	80 N
	axial	40 N
Weight		approx. 0.50 kg [17.64 oz]
Protection acc. to EN 60529	housing side	IP67
	shaft side	IP65, opt. IP67
Working temperature range		-40°C ... +85°C [-40°F ... +185°F]
Material	shaft/hollow shaft	stainless steel
	flange	aluminum
	housing	zinc die-cast
Shock resistance acc. to EN 60068-2-27		2500 m/s ² , 6 ms
Vibration resistance acc. to EN 60068-2-6		100 m/s ² , 55 ... 2000 Hz

Interface characteristics PROFINET IO	
Resolution	1 ... 65535 (16 bit), scalable default: 8192 (13 bit)
Protocol	PROFINET IO

Link 1 and 2, LED (green / yellow)		
Two colored	green	active link
	yellow	data transfer

Error LED (red) / PWR LED (green)	
Functionality see manual	

Electrical characteristics	
Power supply	10 ... 30 V DC
Power consumption (no load)	max. 200 mA
Reverse polarity protection of the power supply	yes
UL approval	file no. E224618
CE compliant acc. to	EMC guideline 2014/30/EU RoHS guideline 2011/65/EU

Absolute encoders - singleturn

Standard optical	Sendix 5858 / 5878 (shaft / hollow shaft)	PROFINET IO
-------------------------	--	--------------------

General information about PROFINET IO

The PROFINET encoder implements the encoder profile 4.1. (according to the specification Encoder Version 4.1 Dec 2008“)

It permits scaling and preset values, as well as many other additional parameters to be programmed via the PROFINET bus.

When switching on, all parameters are loaded from an EEPROM, where they were saved previously to protect them against power-failure, or taken over by the controller in the start-up phase.

Position, speed and many other states of the encoder can be transmitted.

PROFINET IO

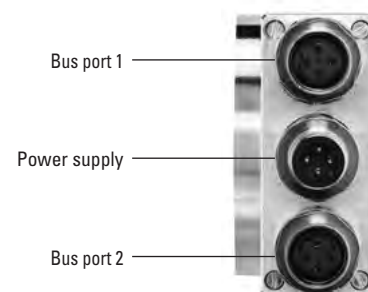
The complete encoder profile according to profile encoder version 4.1 as well as the identification & maintenance functionality version 1.16 has been implemented. IM blocks 0, 1, 2, 3 and 4 are supported.

The **M**edia **R**edundancy **P**rotocol is implemented here.

Basically, the advantage of MRP is that the functionality of the components, which are wired in a ring structure, is maintained in case of a failure or of a breakage of the wires in any location.

Terminal assignment bus

Interface	Type of connection	Function	M12 connector, 4-pin					
			Signal:	Transmit data+	Receive data+	Transmit data -	Receive data -	
C	2 (3 x M12 connector)	Bus port 1	Signal:	Transmit data+	Receive data+	Transmit data -	Receive data -	
			Abbreviation:	TxD+	RxD+	TxD-	RxD-	
			Pin:	1	2	3	4	
		Power supply	Signal:	Voltage +	-	Voltage -	-	
			Abbreviation:	+ V	-	0 V	-	
			Pin:	1	2	3	4	
		Bus port 2	Signal:	Transmit data+	Receive data+	Transmit data -	Receive data -	
			Abbreviation:	TxD+	RxD+	TxD-	RxD-	
			Pin:	1	2	3	4	



Absolute encoders - singleturn

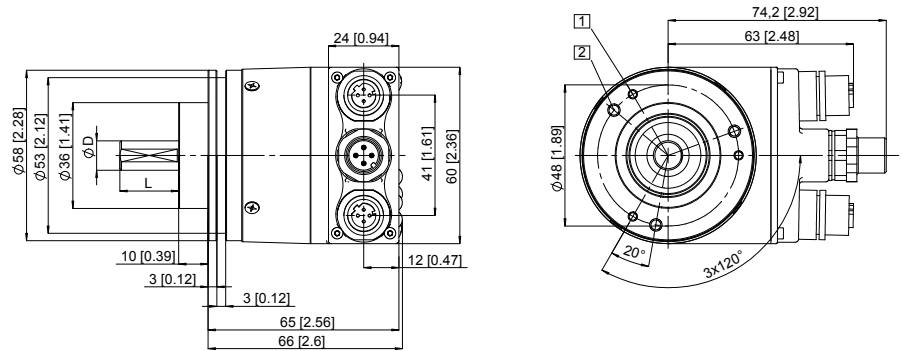
Standard optical	Sendix 5858 / 5878 (shaft / hollow shaft)	PROFINET IO
-------------------------	--	--------------------

Dimensions shaft version, with removable bus terminal cover

Dimensions in mm [inch]

Clamping flange, \varnothing 58 [2.28] Flange type 1 and 3

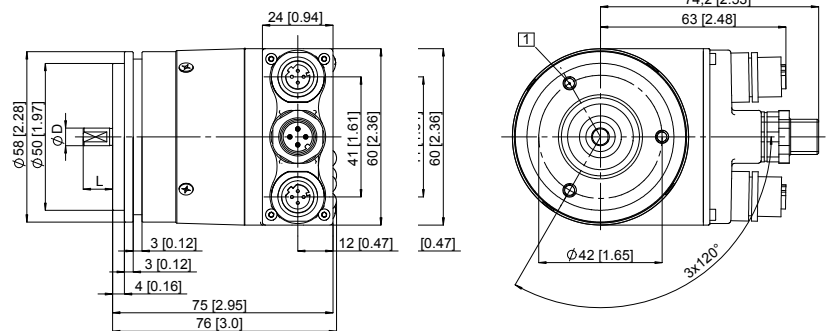
- 1 3 x M3, 6 [0.24] deep
- 2 3 x M4, 8 [0.32] deep



D	Fit	L
6 [0.24]	h7	10 [0.39]
10 [0.39]	f7	20 [0.79]
1/4"	h8	7/8"
3/8"	h8	7/8"

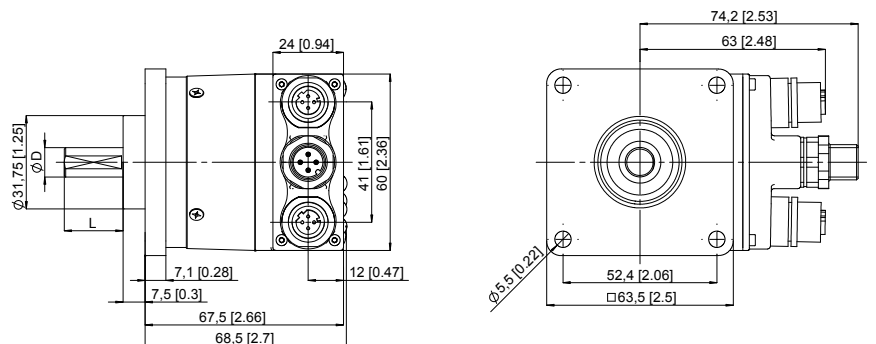
Synchro flange, \varnothing 58 [2.28] Flange type 2 and 4

- 1 3 x M4, 6 [0.24] deep



D	Fit	L
6 [0.24]	h7	10 [0.39]
10 [0.39]	f7	20 [0.79]
1/4"	h8	7/8"
3/8"	h8	7/8"

Square flange, \square 63.5 [2.5] Flange type 5 and 7



D	Fit	L
6 [0.24]	h7	10 [0.39]
10 [0.39]	f7	20 [0.79]
1/4"	h8	7/8"
3/8"	h8	7/8"

Absolute encoders - singleturn

Standard optical

Sendix 5858 / 5878 (shaft / hollow shaft)

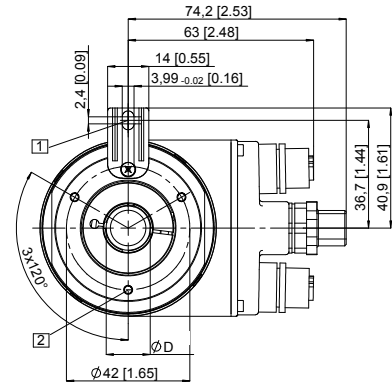
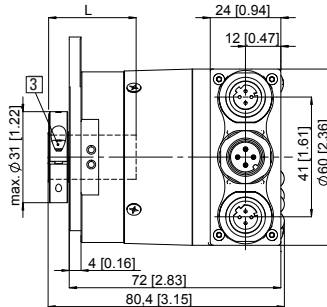
PROFINET IO

Dimensions hollow shaft version (blind hollow shaft), with removable bus terminal cover

Dimensions in mm [inch]

Flange with spring element, long Flange type 1 and 2

- 1 Slot spring element, recommendation: cylindrical pin DIN 7, $\varnothing 4$ [0.16]
- 2 3 x M3, 5.5 [0.22] deep
- 3 Recommended torque for the clamping ring 0.6 Nm

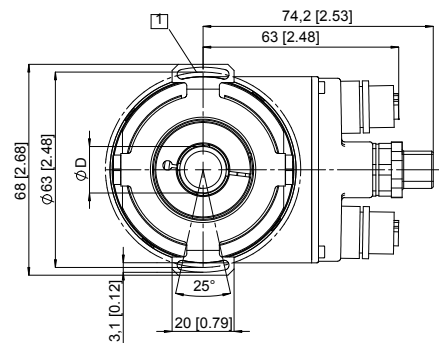
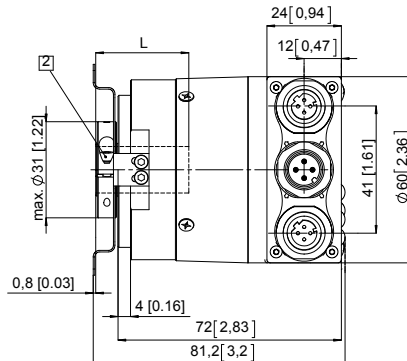


D	Fit	L
10 [0.39]	H7	30 [1.18]
12 [0.47]	H7	30 [1.18]
14 [0.55]	H7	30 [1.18]
15 [0.59]	H7	30 [1.18]
3/8"	H7	30 [1.18]
1/2"	H7	30 [1.18]

L = insertion depth max. blind hollow shaft

Flange with stator coupling, $\varnothing 63$ [2.48] Flange type 5 and 6

- 1 Fixing screws DIN 912 M3 x 8 (washer included in delivery)
- 2 Recommended torque for the clamping ring 0.6 Nm

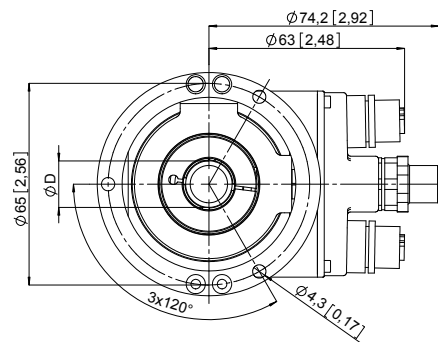
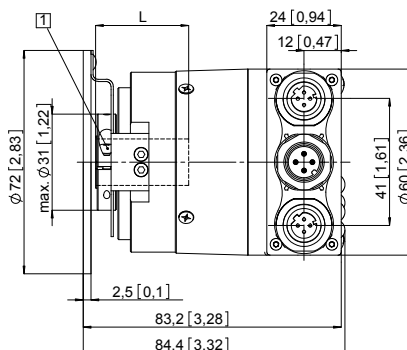


D	Fit	L
10 [0.39]	H7	30 [1.18]
12 [0.47]	H7	30 [1.18]
14 [0.55]	H7	30 [1.18]
15 [0.59]	H7	30 [1.18]
3/8"	H7	30 [1.18]
1/2"	H7	30 [1.18]

L = insertion depth max. blind hollow shaft

Flange with stator coupling, $\varnothing 65$ [2.56] Flange type 3 and 4

- 1 Recommended torque for the clamping ring 0.6 Nm



D	Fit	L
10 [0.39]	H7	30 [1.18]
12 [0.47]	H7	30 [1.18]
14 [0.55]	H7	30 [1.18]
15 [0.59]	H7	30 [1.18]
3/8"	H7	30 [1.18]
1/2"	H7	30 [1.18]

L = insertion depth max. blind hollow shaft