

VMX-agility™

Agile soft starters

Low Voltage
Soft Starters

Game changing
soft starters

17-361 A*



*For larger motor sizes contact your local distributor.

 **MOTORTRONICS™**
Solid State AC Motor Control

VMX-agility™

Agile soft starters



Soft Stopping

Current is limited during soft stopping and gives greater control against water hammer.

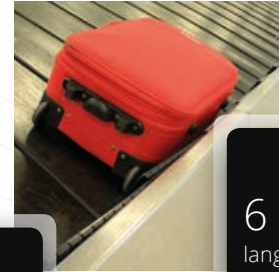


Fire Mode

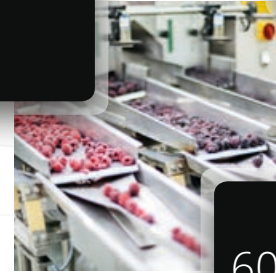
External input signal overriding normal controls allowing the motor to continue running in emergency situations.



life event logging with real-time clock



6 language menu



Automatic Reset

Automatically resets trips in defined situations. Reduces the requirement to send a service technician to reset nuisance trips.



600 V
max. operating voltage

> VMX-agility™ has been developed to exceed the exacting demands of industrial automation motor control clients. VMX-agility™ delivers stable, structured start and stop ramps for smooth, efficient performance. Three standard frame sizes cover all typical applications from 7.5kW to 250kW at 500VAC, 15 - 350HP at 600VAC.

i23 smart application pre-program suite

Optimise VMX-agility™ for your specific application at the touch of a button. Select any of the 23 pre-programmed setup profiles and you are up and running in under 1 minute.

3S Technology

Automatic ramp control profiles ensure smooth start and stop performance, delivering stable acceleration and deceleration in all operating conditions.

1 OLED display
Full text messages enabling fast programming and rapid fault finding with no codes and real-time value monitoring. Local display of recent logged events.

2 USB
for field firmware upgrades and downloading of the event logging data.

3 Modbus RTU
communications as standard. No need for optional communication cards.

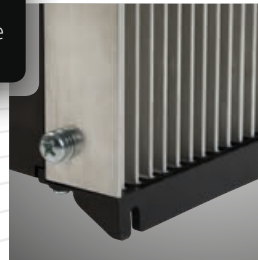
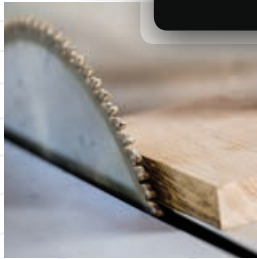
Frequent Number of Starts

Optional cooling fan for frequent duty applications with up to 40 starts per hour - size 1, and from 10 to 40 starts per hour (rating dependent) - size 2.



Full I²t

motor overload protection with 'thermal memory' feature



Control of single or three phase motors



Optional Remote Display Keypad

Plug in remote mounting unit keypad mimics the VMX-agility™ display and keypad function.



Optional Power Supply Unit Module

Unique to VMX-agility™ this module enables control voltage options in one standard product unit, no need to purchase separate soft starters for different control voltages.



Motor Overload Protection

Protecting the motor and soft starter in the event of an overload situation at full I²t motor overload with intelligent thermal memory retention feature. Continually monitoring overloads to ascertain the reduction in overload levels even when VMX-agility™ is in the 'off' state. This is combined with protection and diagnostics giving the operator peace of mind during the motor running phase.

Life Event Logging

VMX-agility™ life event logging is a unique feature that records the last 1600 events to enable fast accurate fault analysis and their resolution. Recording multiple activities including start, stop, top of ramp, faults, application parameters (time, overload level, currents, frequency) and the device information. The data is collated in StarterView programme and provides the operator with the advantage to undertake a detailed analysis of performance and equipment conditioning in an active predictive and preventative maintenance strategy to avoid unwanted breakdowns and any costly downtime.

Loss Reduction

An integral bypass is initiated at the top of ramp and reduces losses in the soft starter.

Start Delay Feature

Intentional start delay allowing pump actuators to engage before start.

Single & Three Phase Motors

VMX-agility™ Soft Starters may be used with Three Phase and Single Phase motors - adjustment via keypad.

Control Circuit

A standard 24 VDC control voltage supply with an optional power module which adapts the digital input voltage to accept a 110-230 VAC signal.

Lowers Panel Production Costs

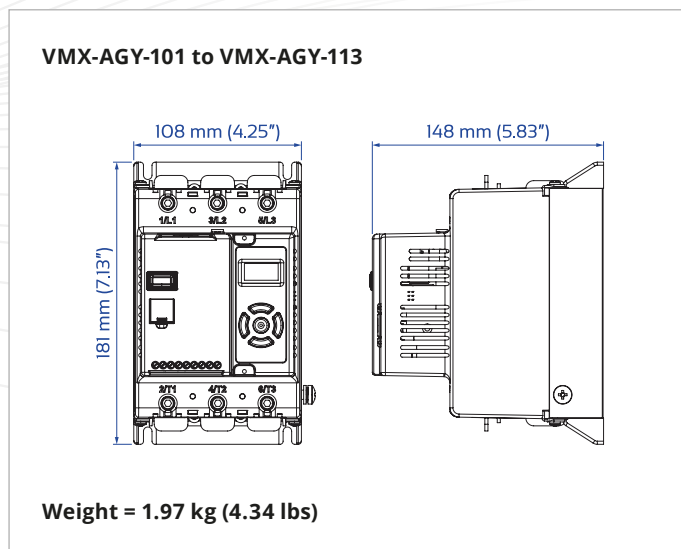
Three unit frame sizes across the voltage range of 200-600VAC with vertical or horizontal mounting to facilitate efficient panel layout and interconnections to reduce material and panel production time

i23

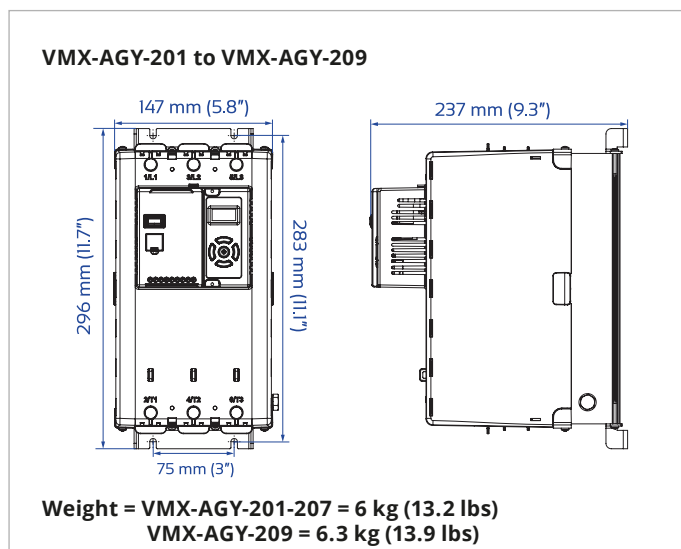
Optimised application setup

A suite of pre-programmed application 'complete setup' profiles facilitate a quick and comprehensive commission process to give freedom and independence to engineers. Typical VMX-agility™ setup takes less than 1 minute whereas a comparable competitive product commission could be 60 to 120 minutes for only a partial setup. Access to an advanced setup menu is provided as standard for special application requirements.

Dimensions - Size 1



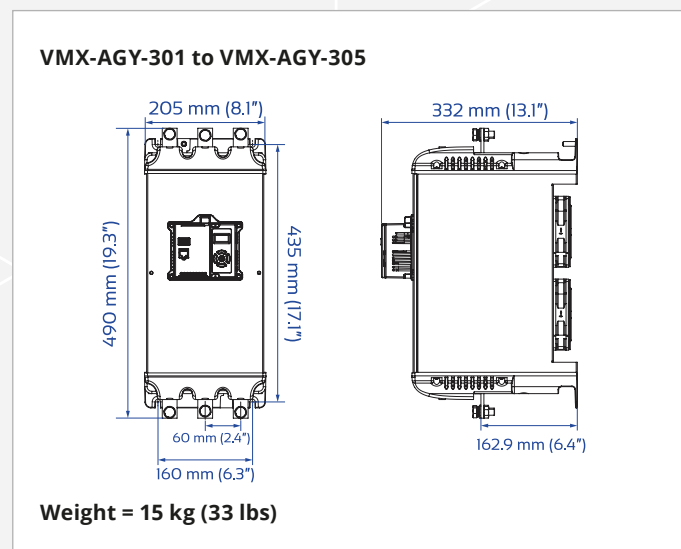
Dimensions - Size 2



Specification

Operational Voltage	200–600 VAC
Rated Frequency	50–60 Hz ± 5 Hz
Index Rating	Trip Class 10: 3.5-17: 90-5 (Trip Class 20 & 30 available)
Starts per Hour	Standard VMX-AGY-101 to VMX-AGY-209 - 5 starts/stops per hour VMX-AGY-301 to VMX-AGY-305 - 3 starts/stops per hour With Optional Fan VMX-AGY-101 to VMX-AGY-203 - 40 starts/stops per hour VMX-AGY-205 - 30 starts/stops per hour VMX-AGY-207 - 20 starts/stops per hour VMX-AGY-209 - 10 starts/stops per hour
Internally Bypassed	Yes
Screen	OLED
Control Supply	Standard 24 VDC With Optional Power Supply 110 to 230 VAC
Inputs	2 Digital Inputs, Both Programmable
Outputs	2 Digital Outputs, 1 Programmable
Overload	Full I ² t Motor Overload
Communications	Modbus RTU
Full Logging functionality for use with StarterView	Yes
IP/NEMA rating	Size 1 IP20/NEMA Class 1 with finger guard fitted (VMX-AGY-005) Size 2 IP20/NEMA Class 1 with finger guard fitted (VMX-AGY-009) Size 3 IP00 as standard
Ambient Temperature	-20 °C to 40 °C without de-rating 60 °C with de-rating
Transport and Storage	-25 °C to 60 °C -25 °C to 75 °C (not exceeding 24 hours)
Altitude	1,000 m Above 1,000 m de-rate linearly by 1% of unit FLC per 100 m to a maximum altitude of 2,000 m Above 2,000 m contact Motortronics
Humidity	Max. 85% non-condensing, not exceeding 50% at 40 °C
Standards	CE, UL, RCM
Languages	English, French, German, Spanish, Portuguese, Italian
Warranty	2 Years

Dimensions - Size 3



Model Selection

For standard operating conditions of 40°C and 1000 m above sea level.

See manual for de-rating and other conditions.



Rated Starting Capability

Typical Applications

Trip Class 10	Trip Class 20	Trip Class 30
3 × Motor Current – 23 secs 3.5 × Motor Current – 17 secs	4 × Motor Current – 19 secs	4 × Motor Current – 29 secs
Agitator Compressor Rotary Vane Unloaded Scroll Conveyor Unloaded Bow Thruster Zero Pitch Fan Low Inertia or <85A Feeder Screw Lathe Machines Mixer Unloaded Moulding Machine Plastic and Textile Machines Pump Submersible - Centrifugal Submersible - Rotodynamic Saw Band Transformers Voltage Regulators	Compressor Centrifugal Reciprocating Rotary Screw Ball Mill Bow Thruster Loaded Conveyor Loaded Grinder Hammer Mill Mills Flour etc. Mixer Loaded Pelletizers Press, Flywheel Positive Displacement Pump Reciprocating Rotary Pump Jack Rolling Mill Roots Blower Saw Circular Screen Vibrating Tumblers	Crusher* Shredder Wood Chipper Fan* High Inertia or > 85 A * start time > 30 secs

Motor Rating

I _e A	kW			FLA A	HP					Select Model				
	230 V	400 V	500 V		200 V	208 V	220-240 V	440-480 V	550-600 V	5 starts/hour @ 40°C	Select Model	Select Model		
17	4	7.5	7.5	17	3	5	5	10	15	5 starts/hour @ 40°C	VMX-AGY-101	VMX-AGY-103	VMX-AGY-105	
22	5.5	11	11	22	5	5	7.5	15	20	VMX-AGY-103	VMX-AGY-105	VMX-AGY-107		
29	7.5	15	15	27	7.5	7.5	7.5	20	25	VMX-AGY-105	VMX-AGY-107	VMX-AGY-109		
35	7.5	18.5	22	34	10	10	10	25	30	VMX-AGY-107	VMX-AGY-109	VMX-AGY-111		
41	11	22	22	41	10	10	10	30	40	VMX-AGY-109	VMX-AGY-111	VMX-AGY-113		
55	15	30	37	52	15	15	15	40	50	VMX-AGY-111	VMX-AGY-113	VMX-AGY-201		
66	18.5	37	45	65	20	20	20	50	60	VMX-AGY-113	VMX-AGY-201	VMX-AGY-203		
80	22	45	55	77	20	25	25	60	75	VMX-AGY-201	VMX-AGY-203	VMX-AGY-205		
106	30	55	75	100	30	30	30	75	100	VMX-AGY-203	VMX-AGY-205	VMX-AGY-207		
132	37	75	90	125	40	40	40	100	125	VMX-AGY-205	VMX-AGY-207	VMX-AGY-209		
160	45	90	110	156	50	50	60	125	150	VMX-AGY-207	VMX-AGY-209	↓		
195	55	110	132	192	60	60	60	150	200	VMX-AGY-209	↓	↓		
3 starts/hour @ 40°C			3 starts/hour @ 40°C						3 starts/hour @ 40°C			3 starts/hour @ 40°C		
160	45	90	110	156	50	50	60	125	150	↓	↓	VMX-AGY-301		
195	55	110	132	192	60	60	60	150	200	↓	↓	VMX-AGY-303		
242	75	132	160	242	75	75	75	200	250	VMX-AGY-301	VMX-AGY-303	VMX-AGY-305		
302	90	160	200	302	100	100	100	250	300	VMX-AGY-303	VMX-AGY-305	—		
361	110	200	250	361	125	125	150	300	350	VMX-AGY-305	—	—		

Product Options

- VMX-AGY-021** External Control Power Supply Module 110V-230VAC
- VMX-AGY-012** Remote Keypad Kit Modbus Master
- VMX-AGY-030** External Fan for AGY-101 to 113
- VMX-AGY-031** External Fan for AGY-201 to 209
- VMX-AGY-061** Terminal Cover Kit for VMX-AGY-301 to 305
- VMX-AGY-036** Modbus Splitter RJ45 to RJ45

- VMX-AGY-035** Modbus Terminating Resistor RJ45
- VMX-AGY-015** Communications Cable RJ45 3m

Product Spares

- VMX-AGY-005** Finger Guard Kit IP20 for VMX-AGY-101 to 113
- VMX-AGY-009** Finger Guard Kit IP20 for VMX-AGY-201 to 209

For sizing with single phase motors contact your local distributor.

+ 44 (0)1752 894554
www.motortronics-uk.co.uk

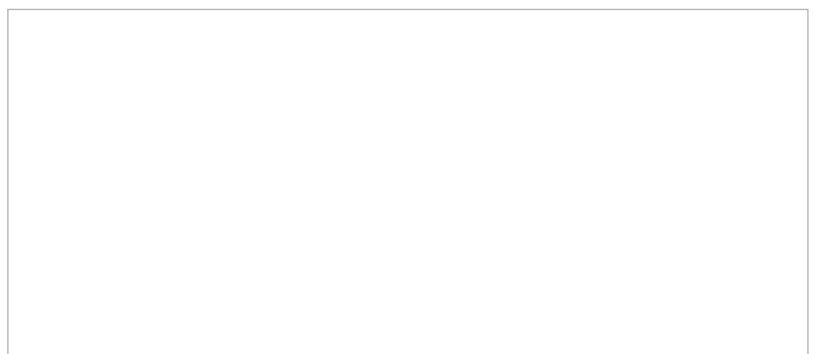
VMX-agility™

Agile soft starters

For more information
on VMX-agility™ contact
your local distributor

+ 44 (0)1752 894554

www.motortronics-uk.co.uk



Motortronics reserves the right to change or update, without notice, any technical information contained in this brochure. Motortronics also reserves the right, without notice, to change the design or construction of the product and to discontinue.

