



CG-R16 CLICKNGO MODULE 16 A SPDT RELAY OUTPUT

DATASHEET – V1.0x B

INTRODUCTION

CG-R16 ClickNGo module has a SPDT relay output with 16 A. It was designed to work as an expansion module for **NOVUS** line of modular controllers. **CG-R16** must be attached to the controller dock (to insert the module to the controller, make sure the device is turned off). Once inserted, it will be automatically recognized. Its configuration parameters will be displayed according to the slot in which the module has been attached to the dock. You can configure this module directly at the controller, through the **QuickTune** software, or through the **QuickTune Mobile**.

DIMENSION

Built in UL94 polycarbonate and with an IP20 protection rating, the **CG-R16** ClickNGo module has an identification engraving on the top and the following dimensions:

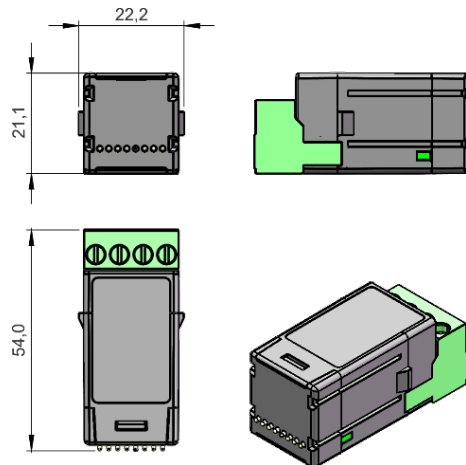


Figure 1 – Module overview

ELECTRICAL INSTALLATION

CG-R16 uses 1 plug-in connector. The figure below shows the laser engraving with the electrical connections of this module:

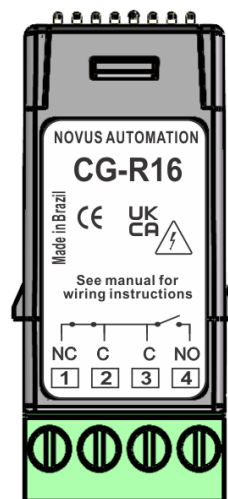


Figure 2 – Electrical connect

INSTALLATION RECOMMENDATIONS

- The electrical connections must be made at the module's terminals and accept 0.32 to 2.5 mm² (28 to 11 AWG) wire. The terminals must have a torque of 0.45 Nm (4.0 lb in).
- The power supply for electronic instruments must come from a network suitable for instrumentation.
- The use of RC FILTERS (noise suppressors) in contactor coils, solenoids, etc. is recommended.
- In control applications, you must consider what can happen when any part of the system fails. The built-in safety features of the device do not guarantee total protection.

HOW TO INSERT THE MODULE TO THE DEVICE



Before you insert or remove a ClickNGo module from the device, make sure the device has been turned off.

Once the dock has been attached to the controller, simply plug the **CG-R16** ClickNGo module into the desired slot, pressing it in until it clicks into place. If the module does not click into place, it is either not properly attached, or it has been plugged into the wrong slot.

The **CG-2R5** ClickNGo module uses two adjacent slots in the rack. Thus, you must insert it in the following positions: 1-2, 3-4, 5-6 or 7-8. You cannot insert it in the 2-3 or 6-7 slots.

Once the **CG-R16** ClickNGo module is inserted into the dock and the device has been turned on, it will be automatically recognized. You can use the navigation keys to go through the parameter cycles and access the settings of the added module (see OPERATION section of the device manual).

The module settings will be available in the parameter cycle and according to its position in the dock. A **CG-R16** ClickNGo module inserted into slot 1-2 of the dock, for example, can be viewed within the Configuration Cycle, under module 1 (**CFG >> Md. 1**).

Once a module is removed from the dock, it will no longer be recognized by the device and the any settings made will be lost.

MODULE OPERATION

Once the module has been attached to the device, the controller will display the following parameters:

Md.Fu <i>Channel Function</i>	Allows you to set the channel function:	
	oFF	No function.
	MV 1	Output acts as a control output 1.
	R 1	Output acts as an alarm output 1.
	R2	Output acts as an alarm output 2.
	R3	Output acts as an alarm output 3.
	R4	Output acts as an alarm output 4.
	t 1	Output acts as a timer output 1.
t2	Output acts as a timer output 2.	
M.Co il	Output acts as a Modbus-Coil command for connection to the Modbus-TCP protocol.	

Table 1 – Parameter shown when connecting **CG-R16** module

The parameters will be displayed in the cycle related to the position of the module in the device dock.



If the module is removed from the controller dock, all settings will be lost. Therefore, when possible, use QuickTune software or the QuickTune Mobile application to save a version of the settings you have made.

For more information on the controller primary operation, see the OPERATION chapter of the device manual.

CONFIGURATION SOFTWARE

Once you have inserted the **CG-R16** ClickNGo module into the device dock, you can configure it using the **QuickTune** software, which is free and available for download on **NOVUS** official website, or the **QuickTune Mobile** app, which is also free and available on Google Play Store and Apple Store.

Information about the primary configuration of the device is available in the CONFIGURATION SOFTWARE chapter of the controller manual. **This section shows information on how to configure the parameters for this module.**

To start the configuration, simply click the **Configure** button on the home screen of the software or application. If you are using the **QuickTune Mobile** application, you must enable the Bluetooth interface of your smartphone. If you are using the **QuickTune** software, you must run the software and perform the process of identifying the device.

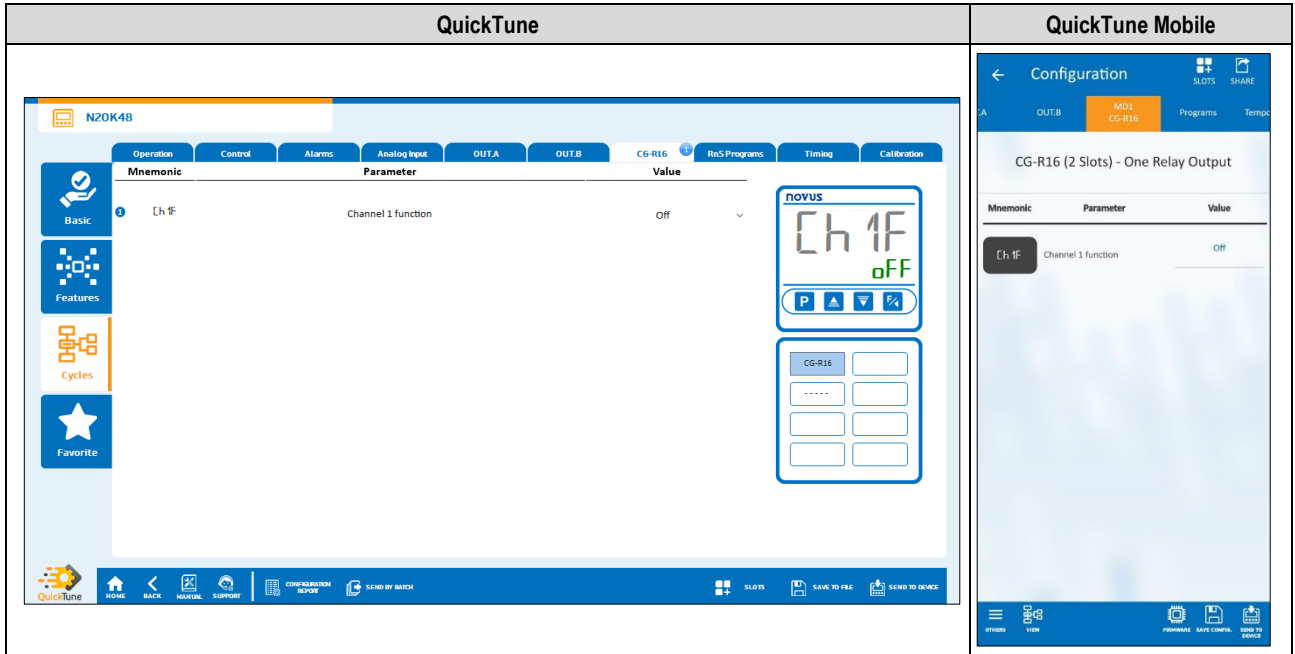


Figure 3 – Configuration software

- Channel 1 function:** Allows you to set the function of channel 1: "Channel off", "Control output 1", "Control output 2", "Alarm 1", "Alarm 2", "Alarm 3", "Alarm 4", "Timer 1", "Timer 2" or "Modbus-Coil".

MAINTENANCE

Connection errors and improper programming are the most common errors during controller operation. A final review can avoid wasted time and damage.

If the module is not recognized by the device, you must remove it from the dock, add it to another available slot, and restart the device.

TECHNICAL SPECIFICATION

FEATURES	CG-R16 CLICKNGO MODULE
Output Type (*)	SPDT-NO Relay
Maximum Load Current	16 A for resistive loads; (250 Vac / 24 Vdc)
Maximum Electrical Voltage	270 Vac / 30 Vdc
Environmental Conditions	Operating Temperature: -20 to 60 °C (-4 to 140 °F) Relative Humidity: 80 % max. @ 30 °C (For temperatures above 30 °C (86 °F), reduce by 3 % for each °C) Internal use; Installation category II, Pollution degree 2; Altitude < 2000 m
Electrical Compatibility	EN 61326-1:2020
Security	EN 61010-1:2010
Dimension	46.5 x 21.1 x 22.2 mm Approximated weight: 15 g
Protection Degree	IP50 when installed in controller
Plastic material	ABS+PC UL94 V-0
Software	QuickTune (for PC) QuickTune Mobile (for smartphones)
Certification	CE, UKCA

Table 2 – Technical specification

(*) Further information regarding the relay contact can be found in the specifications of the following manufacturers:

- Omron Manufacturer; P/N **G2RL-14-E DC5**
- Panasonic Manufacturer; P/N **ALZ12B05**
- Hongfa Manufacturer: P/N **HF115F**

CERTIFICATIONS

CE Mark / UKCA

This is a Class A product. In a domestic environment, this product may cause radio interference in which case the user may be required to take adequate measures.

WARRANTY

Warranty conditions are available on our website www.novusautomation.com/warranty.