

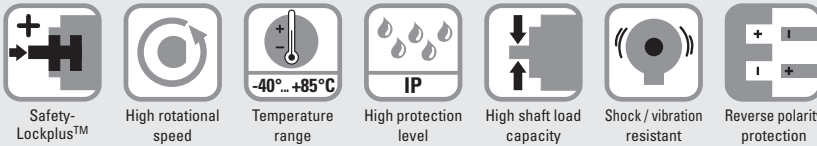
Absolute encoders – singleturn

Standard magnetic	Sendix M5858A (shaft)	IO-Link
--------------------------	------------------------------	----------------



The Sendix M58 is a magnetic singleturn encoder in compact design. High robustness and high resolution make this encoder the ideal device for use in demanding applications.

With Smart Sensor Profile for easy and fast integration into the application.



Reliable and insensitive

- Sturdy bearing construction in Safety-Lock™ design for resistance against vibration and installation errors.
- Reduced number of components ensures magnetic insensitivity.
- IP67 protection and wide temperature range -40°C ... +85°C.

Up-to-the-minute performance

- Operation possible with any IO-Link master.
- Point-to-point communication in automation networks.
- Use of cost-effective unshielded cables possible.
- Automatic saving of device parameters.
- Firmware update via IO-Link.

Order code	8.M5858A.XX4X.41X2						
Shaft version	Type	a	b	c	d	e	f
a Flange		3 = clamping flange, ø 58 mm [2.28"]	4 = synchro flange, ø 58 mm [2.28"]		d Type of connection	3 = axial M12 connector, 4-pin	4 = radial M12 connector, 4-pin
b Shaft (ø x L), with flat		1 = ø 6 x 12.5 mm [0.24 x 0.49"]	5 = ø 10 x 20 mm [0.39 x 0.79"]		e Fieldbus profile	41 = IO-Link	
c Interface / power supply		4 = IO-Link / 18 ... 30 V DC			f Profile	2 = Standard Profile ¹⁾	3 = Smart Sensor Profile ²⁾
						Optional on request - Ex 2/22	

Mounting accessory for shaft encoders		Order no.
Coupling	Bellows coupling ø 19 mm [0.75"] for shaft 10 mm [0.39"]	8.0000.1102.1010
Cables and connectors		Order no.
Preassembled cables	M12 female connector with coupling nut, 4-pin, A coded, straight single-ended 2 m [6.56'] PUR cable	05.00.6061.6211.002M
Connectors	M12 female connector with coupling nut, 4-pin, A coded, straight	05.B8141-0

Further Kübler accessories can be found at: kuebler.com/accessories
 Further Kübler cables and connectors can be found at: kuebler.com/connection-technology

1) Delivered with default setting for Standard Profile (switchable to Smart Sensor Profile).
 2) Delivered with default setting for Smart Sensor Profile (switchable to Standard Profile).

Absolute encoders – singleturn

Standard magnetic	Sendix M5858A (shaft)	IO-Link
--------------------------	------------------------------	----------------

Technical data

Mechanical characteristics	
Maximum speed	4000 min ⁻¹ 2000 min ⁻¹ (continuous)
Starting torque at 20°C [68°F]	< 0.01 Nm
Shaft load capacity	radial 80 N axial 40 N
Weight	approx. 280 g [9.88 oz]
Protection acc. to EN 60529/DIN 40050-9	IP65
Working temperature range	-40 °C ... +85 °C [-40 °F ... +185 °F]
Materials	shaft V2A flange aluminum housing zinc die-cast
Shock resistance acc. to EN 60068-2-27	5000 m/s ² , 4 ms
Vibration resistance acc. to EN 60068-2-6	300 m/s ² , 10 ... 2000 Hz

Electrical characteristics	
Power supply	18 ... 30 V DC
Current consumption (no load)	max. 40 mA
Reverse polarity protection of the power supply	yes

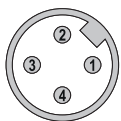
Interface characteristics IO-Link	
Resolution	1 ... 16.384 (14 bit), scalable default: 16.384 (14 bit)
Absolute accuracy ¹⁾	±1°
Repeat accuracy	±0,2°
Interface	IO-Link version 1.1 acc. to IEC 61131-9
Profile (details see manual)	Kübler Standard Profile or Smart Sensor Profile
Port classe	Type A

Approvals	
UL compliant in accordance with	File no. E224618
CE compliant in accordance with	
EMC Directive	2014/30/EU
RoHS Directive	2011/65/EU
ATEX Directive	2014/34/EU (for Ex 2/22 variants)
UKCA compliant in accordance with	
EMC Regulations	S.I. 2016/1091
RoHS Regulations	S.I. 2012/3032
UKEX Regulations	S.I. 2016/1107 (for Ex 2/22 variants)

Terminal assignment

Interface	Type of connection	M12 connector, 4-pin				
4	3, 4	Signal:	Power supply +V DC	Reserved (no function)	Power supply 0 V (GND)	IO-Link communication (Data line)
		Abbreviation:	L+	res.	L-	C/Q
		Pin:	1	2	3	4

Top view of mating side, male contact base



M12 connector, 4-pin

1) Over the whole temperature range.

Absolute encoders – singleturn

Standard magnetic	Sendix M5858A (shaft)	IO-Link
--------------------------	------------------------------	----------------

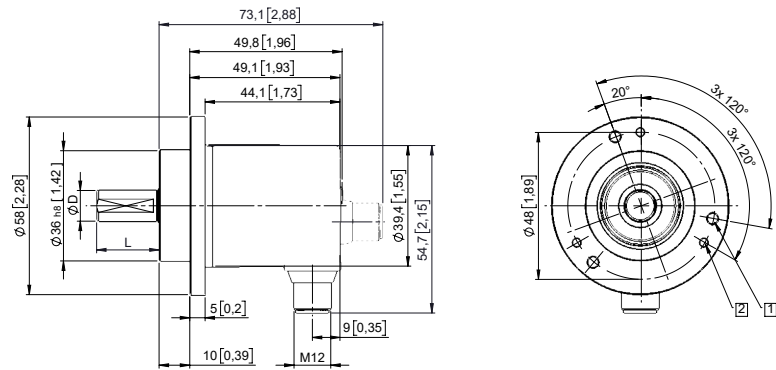
Dimensions

Dimensions in mm [inch]

Clamping flange, ø 58 [2.28] Flange type 3

- 1 3 x M4
- 2 3 x M3

D	Fit	L
6 [0.24]	h7	12.5 [0.49]
10 [0.39]	f7	20 [0.79]



Synchro flange, ø 58 [2.28] Flange type 4

- 1 3 x M4, 10 [0.39] deep

D	Fit	L
6 [0.24]	h7	12.5 [0.49]
10 [0.39]	f7	20 [0.79]

