

## Interface TxConfig USB

Guia Rápido

Português

O TxConfig USB é uma interface de configuração para toda a família de transmissores da Novus, capaz de fornecer também alimentação para os transmissores com saída 0-10 Vcc ou 4-20 mA. É utilizado junto com o software de configuração TxConfig.

### CARACTERÍSTICAS

- Antes de colocar o transmissor em operação, leia Fácil instalação;
- Comunicação USB com o PC e serial com os transmissores;
- Alimentação dos transmissores sem necessidade de bateria ou fonte externa;
- Ligações simplificadas com os transmissores;
- Compatível com USB 1.1 e 2.0;
- Sistema Operacional: Windows XP, Vista e 7.

### INSTALAÇÃO ELÉTRICA

- Conectar no equipamento conforme uma das ligações abaixo;
- Conectar a interface TxConfig USB ao PC;
- O TxConfig USB será instalado automaticamente sem necessidade de instalação de driver.
- Executar o software de configuração TxConfig, para fazer a configuração dos equipamentos.

### OPERAÇÃO

Siga as instruções do software TxConfig (Consulte a Ajuda).

Led de sinalização:

- Led aceso: interface instalada e pronta para o uso.
- Led piscando: comunicando com os transmissores.



**Atenção:** Ao realizar a configuração com o transmissor conectado ao processo, utilizando a energia da fonte (*loop*), **não conecte os fios vermelho e preto ao transmissor, sob o risco de danificar a interface permanentemente.** Conecte apenas os fios branco e verde conforme indicado nas figuras.

## Interface TxConfig USB

Guía Rápido

Español

El TxConfig USB es una interface de configuración para toda la familia de transmissores de la Novus, capaz de fornecer también alimentación para los transmissores con salida 0-10 Vcc o 4-20 mA. Es utilizado en conjunto con el software de configuración TxConfig.

### CARACTERÍSTICAS

- Fácil instalación.
- Comunicación USB con la PC y serial con los transmissores;
- Alimentación de los transmissores sin necesidad de batería o fuente externa;
- Conexiones simplificadas con los transmissores;
- Compatible con USB 1.0 y 2.0;
- Sistema Operativo: Windows XP, Vista y 7;

### INSTALACIÓN ELÉCTRICA

- Conectar el equipamiento según una de las conexiones a continuación;
- Conectar la interface TxConfig USB en la PC;
- El TxConfig USB será instalado automáticamente sin necesidad de instalación de driver.
- Ejecutar el software de configuración TxConfig, para hacer la configuración de los equipamientos.

### OPERACIÓN

Siga las instrucciones del software TxConfig (Consulte la Ayuda).

Led de señalización:

- Led encendido: interface instalada y lista para la utilización.
- Led parpadeando: comunicando con los transmissores.



**Atención:** Al realizar la configuración con el transmissor conectado al proceso, utilizando la energía de la fuente (*loop*), **no conecte los cables rojo y negro al transmissor.** Conecte solamente los cables blanco y verde según indicado en las figuras.

## Interface TxConfig USB

Guide Rapide

Français

TxConfig USB est une interface de configuration pour toute la famille de transmetteurs Novus, capable d'alimenter les transmetteurs à sortie 0-10 Vcc ou 4-20 mA. Elle est utilisée avec le logiciel de configuration TxConfig.

### CARACTÉRISTIQUES

- Installation facile;
- Communication USB avec le PC et série avec les transmetteurs;
- Alimentation des transmetteurs sans besoin de batterie ou source externe;
- Raccordements sur les transmetteurs simplifiés;
- Compatible avec USB 1.1 et 2.0;
- Système opérationnel: Windows XP, Vista et 7.

### INSTALLATION ÉLECTRIQUE

- Brancher sur l'appareil selon l'un des schémas ci-dessous;
- Connecter l'interface TxConfig USB sur l'ordinateur;
- TxConfig USB sera installé automatiquement sans besoin d'installer un pilote.
- Exécuter le logiciel de configuration TxConfig pour configurer les périphériques.

### FONCTIONNEMENT

Suivre les instructions du logiciel TxConfig (Consultez la page d'aide).

Témoin de signalisation:

- Témoin allumé: interface installée et prête à l'usage.
- Témoin clignotant: communication avec les transmetteurs.



**Attention:** si vous exécutez la configuration avec le transmetteur connecté au process en utilisant l'énergie de la source (*loop*), **ne connectez pas les fils rouge et noir sur le transmetteur, sous risque d'endommager définitivement l'interface.** Ne connectez que les fils blanc et vert comme sur les figures ci-dessus.

# TxConfig USB Interface

Quick Guide

English

The TxConfig USB is the configuration interface to configure the whole Novus Smart Transmitters family with 0 to 10 Vdc and 4 to 20 mA outputs. By using this interface the user can either perform the transmitter configuration without an external power supply and connected to the current loop. This interface works together TxConfig software.

## CHARACTERISTICS

- Easy to install, no special driver needed;
- USB communication between the PC and the transmitter;
- Configures the transmitter without external power supply, powered by USB bus;
- Electrical connections made easy;
- Compatible with USB 1.1 and 2.0;
- Operating system: Windows XP, Vista and 7.

## ELECTRICAL INSTALLATION

- Connect the interface to the transmitter as shown in the following figures depending on the model you are configuring;
- Connect the interface to a free USB port on the PC;
- The TxConfig USB interface shall be automatically installed without any external driver.
- Launch the previously installed TxConfig software in order to perform the transmitter configuration.

## OPERATION

Follow the instructions from the TxConfig Software (check Help menu);

Status Led:

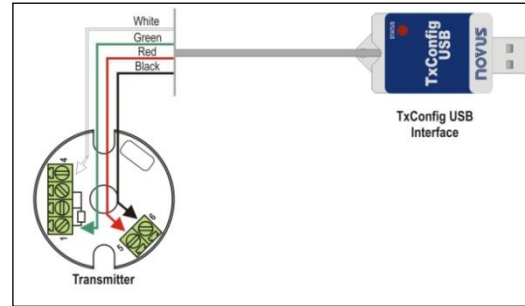
- Led on: means the interface was installed and is ready to be used.
- Led blinking: means the configuration data is being sent.



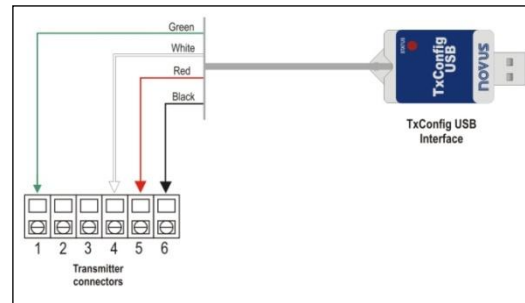
**Warning:** When performing the configuration with the transmitter connected to the process loop, **do not connect the black and red wires to the transmitter in order to avoid an irreversible damage to the interface.** Connect only the white and green wires as shown in the figures above.

## ELECTRICAL CONNECTIONS

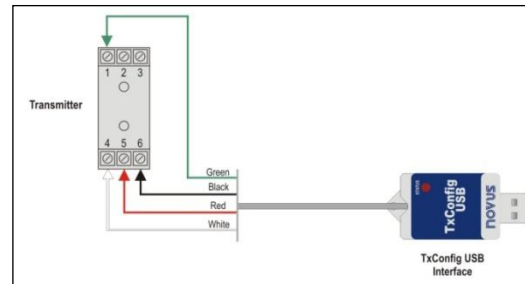
### 1. TxBlock / TxIsoBlock Transmitter



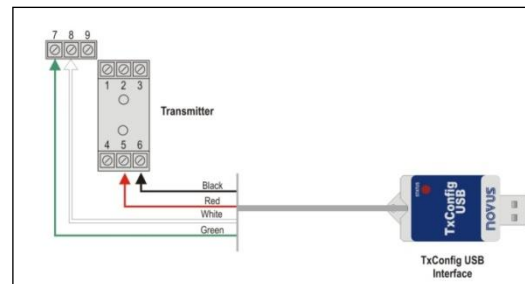
### 2. RHT / Temp Transmitter



### 3. TxRail Transmitter



### 4. TxIsoRail Transmitter



# TxConfig USB Interface

QUICK GUIDE



## SAFETY INFORMATION

Any control system design should take into account that any part of the system has the potential to fail. This product is not a protection or safety device and its alarms are not intended to protect against product failures. Independent safety devices should be always provided if personnel or property are at risk.

Product performance and specifications may be affected by its environment and installation. It's user's responsibility to assure proper grounding, shielding, cable routing and electrical noise filtering, in accordance with local regulations, EMC standards and good installation practices.

## SUPPORT AND MAINTENANCE

This product contains no serviceable parts inside. Contact our local distributor in case you need authorized service. For troubleshooting, visit our FAQ at [www.novusautomation.com](http://www.novusautomation.com).

## LIMITED WARRANTY AND LIMITATION OF LIABILITY

NOVUS warrants to the original purchaser that this product is free from defects in material and workmanship under normal use and service within one (1) year from the date of shipment from factory or from its official sales channel to the original purchaser.

NOVUS liability under this warranty shall not in any case exceed the cost of correcting defects in the product or of supplying replacement product as herein provided and upon the expiration of the warranty period all such liability shall terminate.

For complete information on warranty and liability limitations, check appropriate section in our web site: [www.novusautomation.com](http://www.novusautomation.com).

**NOVUS**  
WWW.NOVUSAUTOMATION.COM