

Klemsan® VT series

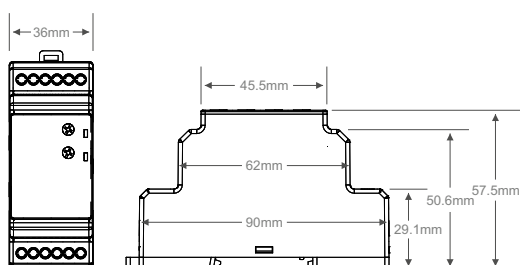
Isolated True RMS Voltage Transducer

type	order no
VT3-AC	600 101
VT3-AC-24	600 103
VT3-AC-LP	600 105
VT3-ACDC-24	600 106

technical specifications

Supply voltage (U_N)	VT3-AC : 85 .. 265V AC/DC VT3-AC-24 : 10 .. 36V DC VT3-ACDC-24 : 10 .. 36V DC VT3-AC-LP : 9 .. 30V DC
Power consumption	< 1.5 W < 4 VA
Response time	< 350 ms
Measurement error	< %0.2 (full scale, 25°C)
Temperature coefficient	< 150 ppm/°C
Load	$\leq 600\Omega$ (current output) $\geq 10k\Omega$ (voltage output)
Input signal range (configurable)	0 .. 24 V AC 0 .. 36 V AC 0 .. 54 V AC 0 .. 80 V AC 0 .. 120 V AC 0 .. 170 V AC 0 .. 250 V AC 0 .. 400 V AC 0 .. 450 V AC 0 .. 500 V AC
VT3-AC, VT3-AC-24, VT3-AC-LP	0 .. 120 V AC 0 .. 170 V AC 0 .. 250 V AC 0 .. 400 V AC 0 .. 450 V AC 0 .. 500 V AC
Input signal range (configurable)	0 .. 24 V AC 0 .. 54 V AC 0 .. 120 V AC 0 .. 250 V AC 0 .. 450 V AC 0 .. 24 V DC 0 .. 54 V DC 0 .. 120 V DC 0 .. 250 V DC 0 .. 450 V DC
VT3-ACDC-24	0 .. 24 V DC 0 .. 54 V DC 0 .. 120 V DC 0 .. 250 V DC 0 .. 450 V DC
Input signal frequency	40 .. 70 Hz
Analog output signal (configurable)	0 .. 20 mA 4 .. 20 mA ± 20 mA 20 .. 0 mA 20 .. 4 mA 0 .. 5 V 0 .. 10 V ± 5 V ± 10 V 10 .. 0 V
VT3-AC, VT3-AC-24, VT3-ACDC-24	20 .. 0 mA 20 .. 4 mA 0 .. 5 V 0 .. 10 V ± 5 V ± 10 V 10 .. 0 V
Analog output signal (VT3-AC-LP)	4 .. 20 mA
Maximum analog output current	24mA
Maximum analog output voltage	12V
Operating temperature	-20°C .. 60°C
Isolation	1.5kV _{RMS} (Cont.) , 3kV _{RMS} (5sec.)
IP class	IP20
Connection	Screw terminals
Mounting type	Rail mounted

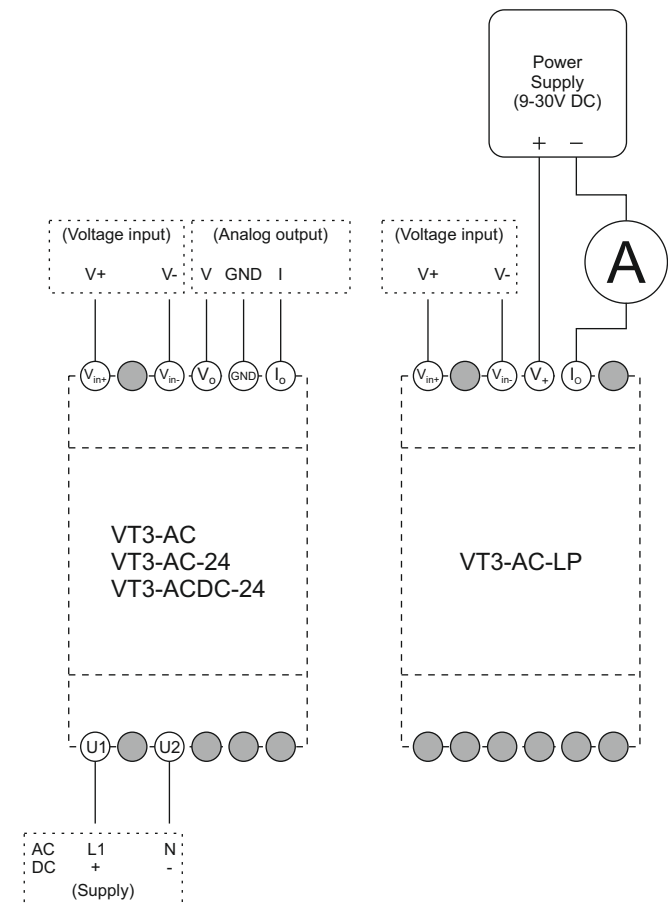
dimensions



failure indication

Failure Status	LED Indication
voltage output mode: short circuit	Err:
current output mode: open circuit	Err:
no signal	ON:

connections



isolation diagram

